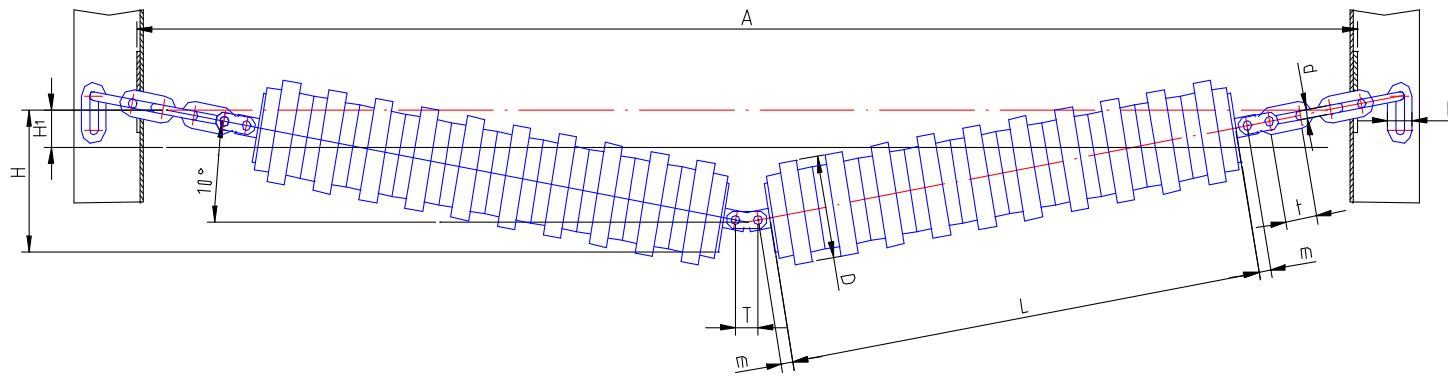


Two Roller Garland Kit

Belt Width	A	L1	L	H1	D	Q	P	S	K	d	Bearing	Load Capacity KN						Weight KG	Weight Move Parts	Dwg Nr.																				
												v=0.8	v=1.0	v=1.25	v=1.6	v=2.0	v=2.5				v=3.15	v=4.0																		
650	980		380	86	108						4G204	2.94	2.94	2.94	2.94	2.94	2.94	2.94	—	11.8	7.81	D2C8130																		
					133							2.94	2.94	2.94	2.94	2.94	2.94	2.94	2.94	16.2	12.67	D2C8140																		
800	1144		465	100	108												4G204	2.31	2.31	2.31	2.31	2.31	2.31	2.31	—	13.8	9.22	D3C8130												
					133													2.31	2.31	2.31	2.31	2.31	2.31	2.31	2.31	19.1	15.09	D3C8140												
1000	1410		600	125	108																		4G204	1.73	1.73	1.73	1.73	1.73	1.73	1.73	—	16.6	11.46	D4C8130						
					133																			1.73	1.73	1.73	1.73	1.73	1.73	1.73	1.73	23.9	18.94	D4C8140						
1200	1608		700	142	108																								4G204	1.45	1.45	1.45	1.45	1.45	1.45	1.45	—	19.3	13.12	D5C8130
					133																									1.45	1.45	1.45	1.45	1.45	1.45	1.45	1.45	27.3	21.80	D5C8140



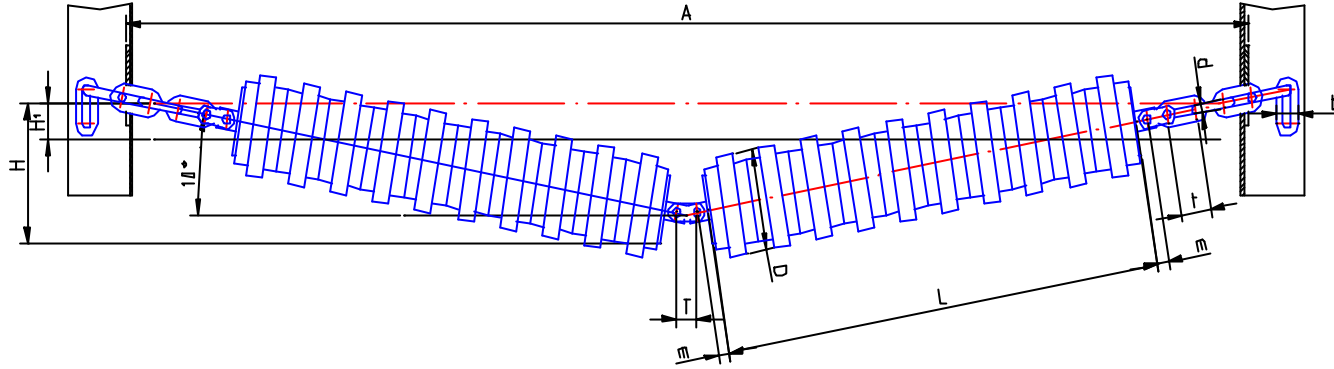
Two Roller Garland Kit

Belt Width	A	H1	L	D	m	T	t	d	b	H	Bearin g	Load Capacity KN								Weight KG	Weight Move parts	Dwg Nr.
												v=1.0	v=1.25	v=1.6	v=2.0	v=2.5	v=3.15	v=4.0	v=5.0			
1000	1570	50	600	89	16	31.8	44	11	39	177	4G204	1.73	1.73	1.73	1.73	1.73	—	—	—	14.7	9.02	D4C8720
	1570	40		108	16	31.8	44	11	39	186	4G204	1.73	1.73	1.73	1.73	1.73	1.73	—	—	17.1	11.46	D4C8730
	1570	27		133	16	31.8	44	11	39	198	4G204	1.73	1.73	1.73	1.73	1.73	1.73	1.73	—	24.6	18.94	D4C8740
	1570	14		159	16	31.8	44	11	39	211	4G204	1.73	1.73	1.73	1.73	1.73	1.73	1.73	1.73	28.8	23.21	D4C8750
1200	1766	58	700	89	16	31.8	44	11	39	194	4G204	1.45	1.45	1.45	1.45	1.45	—	—	—	18.5	10.32	D5C8720
	1839	65		89	19	38.1	52	13	46	199	4G205	3.30	3.30	3.30	3.30	3.30	—	—	—	20.3	10.77	D5C8721
	1766	49		108	16	31.8	44	11	39	203	4G204	1.45	1.45	1.45	1.45	1.45	1.45	—	—	19.2	13.12	D5C8730
	1839	55		108	19	38.1	52	13	46	209	4G205	3.30	3.30	3.30	3.30	3.30	3.30	—	—	18.6	13.61	D5C8731
	1766	36		133	16	31.8	44	11	39	216	4G204	1.45	1.45	1.45	1.45	1.45	1.45	1.45	—	27.9	21.80	D5C8740
	1839	42		133	19	38.1	52	13	46	221	4G205	3.30	3.30	3.30	3.30	3.30	3.30	3.30	—	31.8	22.29	D5C8741
	1766	23		159	16	31.8	44	11	39	228	4G204	1.45	1.45	1.45	1.45	1.45	1.45	1.45	—	32.8	26.64	D5C8750
Belt Width	A	H1	L	D	m	T	t	d	b	H	Bearing	Load Capacity KN								Weight KG	Weight Move parts	Dwg Nr.
												v=1.25	v=1.6	v=2.0	v=2.5	v=3.15	v=4.0	v=5.0	v=6.3			
1200	1839	29	700	159	19	38.1	52	13	46	234	4G205	3.30	3.30	3.30	3.30	3.30	3.30	3.30	—	36.3	26.37	D5C8751

Belt Width	A	H1	L	D	m	T	t	d	b	H	Bearin g	Load Capacity KN								Weight KG	Weight Move parts	Dwg Nr.
												v=1.0	v=1.25	v=1.6	v=2.0	v=2.5	v=3.15	v=4.0	v=5.0			
1400	1963	57	800	108	16	31.8	44	11	39	221	4G204	1.26	1.26	1.26	1.26	1.26	—	—	—	21.4	14.78	D6C8730
	2035	64		108	19	38.1	52	13	46	226	4G205	2.85	2.85	2.85	2.85	2.85	—	—	—	25.6	15.26	D6C8731
	1963	45		133	16	31.8	44	11	39	233	4G204	1.26	1.26	1.26	1.26	1.26	1.26	—	—	31.3	24.65	D6C8740
	2035	51		133	19	38.1	52	13	46	238	4G205	2.85	2.85	2.85	2.85	2.85	2.85	—	—	35.5	25.14	D6C8741
	1963	32		159	16	31.8	44	11	39	246	4G204	1.26	1.26	1.26	1.26	1.26	1.26	1.26	—	36.7	30.06	D6C8750
	2035	38		159	19	38.1	52	13	46	251	4G205	2.85	2.85	2.85	2.85	2.85	2.85	2.85	—	40.5	30.16	D6C8751
1600	2160	53	900	133	16	31.8	44	11	39	250	4G204	1.10	1.10	1.10	1.10	1.10	1.10	—	—	36.8	27.50	D7C8740
	2232	60		133	19	38.1	52	13	46	256	4G205	2.51	2.51	2.51	2.51	2.51	2.51	—	—	39.1	27.99	D7C8741
	2160	40		159	16	31.8	44	11	39	263	4G204	1.10	1.10	1.10	1.10	1.10	1.10	1.10	—	40.6	33.50	D7C8750
	2232	47		159	19	38.1	52	13	46	268	4G205	2.51	2.51	2.51	2.51	2.51	2.51	2.51	—	44.7	33.59	D7C8751
	2160	23		194	16	31.8	44	11	39	280	4G204	1.10	1.10	1.10	1.10	1.10	1.10	1.10	1.10	53.6	46.45	D7C8760
	2232	29		194	19	38.1	52	13	46	286	4G205	2.51	2.51	2.51	2.51	2.51	2.51	2.51	2.51	42.7	47.16	D7C8761
1800	2429	69	1100	133	19	38.1	52	13	46	273	4G205	2.24	2.24	2.24	2.24	2.24	2.24	—	—	42.7	30.84	D8C8741
	2535	78		133	25	44.5	64	16	56	281	4G206	4.46	4.46	4.46	4.46	4.46	4.46	—	—	50.2	31.87	D8C8742
	2429	55		159	19	38.1	52	13	46	286	4G205	2.24	2.24	2.24	2.24	2.24	2.24	2.24	—	48.9	36.66	D8C8751
	2535	65		159	25	44.5	64	16	56	294	4G206	4.46	4.46	4.46	4.46	4.46	4.46	4.46	—	56.7	38.41	D8C8752
	2429	38		194	19	38.1	52	13	46	303	4G205	2.24	2.24	2.24	2.24	2.24	2.24	2.24	2.24	63.7	51.82	D8C8761
	2535	47		194	25	44.5	64	16	56	311	4G206	4.46	4.46	4.46	4.46	4.46	4.46	4.46	4.46	71.7	53.40	D8C8762
Belt Width	A	H1	L	D	m	T	t	d	b	H	Bearing	Load Capacity KN								Weight KG	Weight Move parts	Dwg Nr.
												v=1.6	v=2.0	v=2.5	v=3.15	v=4.0	v=5.0	v=6.3	v=7.1			
2000	2626	77	1100	133	19	38.1	52	13	46	290	4G205	2.02	2.02	2.02	2.02	2.02	—	—	—	46.3	33.69	D9C8741
	2732	87		133	25	44.5	64	16	56	298	4G206	4.03	4.03	4.03	4.03	4.03	—	—	—	54.1	34.72	D9C8742
	2626	64		159	19	38.1	52	13	46	303	4G205	2.02	2.02	2.02	2.02	2.02	2.02	—	—	53.1	40.09	D9C8751
	2732	73		159	25	44.5	64	16	56	311	4G206	4.03	4.03	4.03	4.03	4.03	4.03	—	—	61.3	41.84	D9C8752
	2626	46		194	19	38.1	52	13	46	320	4G205	2.02	2.02	2.02	2.02	2.02	2.02	2.02	—	68.4	56.48	D9C8761
	2732	56		194	25	44.5	64	16	56	328	4G206	4.03	4.03	4.03	4.03	4.03	4.03	4.03	—	77.8	58.06	D9C8762
	2922	95		133	19	38.1	52	13	46	316	4G205	1.76	1.76	1.76	1.76	1.76	—	—	—	51.8	37.97	D10C8741

Belt Width	A	H1	L	D	m	T	t	d	b	H	Bearin g	Load Capacity KN								Weight KG	Weight Move parts	Dwg Nr.
												v=1.0	v=1.25	v=1.6	v=2.0	v=2.5	v=3.15	v=4.0	v=5.0			
2200	3027	104	1250	133	25	44.5	64	16	56	324	4G206	3.51	3.51	3.51	3.51	3.51	—	—	—	60.1	39.00	D10C8742
	2922	81		15	19	38.1	52	13	46	329	4G205	1.76	1.76	1.76	1.76	1.76	1.76	—	—	59.4	45.25	D10C8751
	3027	91		19	25	44.5	64	16	56	337	4G206	3.51	3.51	3.51	3.51	3.51	3.51	—	—	68.1	46.98	D10C8752
	2922	64		194	19	38.1	52	13	46	346	4G205	1.76	1.76	1.76	1.76	1.76	1.76	—	—	77.3	63.47	D10C8761
	3027	73		194	25	44.5	64	16	56	354	4G206	3.51	3.51	3.51	3.51	3.51	3.51	—	—	86.1	65.05	D10C8762
2400	3217	99	1400	159	19	38.1	52	13	46	355	4G205	1.56	1.56	1.56	1.56	1.56	1.56	—	—	64.5	50.38	D11C8751
	3323	108		159	25	44.5	64	16	56	363	4G206	3.11	3.11	3.11	3.11	3.11	3.11	—	—	74.9	52.13	D11C8752
	3384	113		159	25	44.5	76	19	67	368	4G307	5.49	5.49	5.49	5.49	5.49	5.49	—	—	90.9	59.47	D11C8755
	3217	81		194	19	38.1	52	13	46	373	4G205	1.56	1.56	1.56	1.56	1.56	1.56	1.56	—	85.4	70.47	D11C8761
	3323	90		194	25	44.5	64	16	56	380	4G206	3.11	3.11	3.11	3.11	3.11	3.11	3.11	—	94.8	72.05	D11C8762
	3384	96		194	25	44.5	76	19	67	385	4G307	5.49	5.49	5.49	5.49	5.49	5.49	5.49	—	104.4	73.02	D11C8765
	3217	68		219	19	38.1	52	13	46	385	4G205	1.56	1.56	1.56	1.56	1.56	1.56	1.56	1.56	94.9	79.98	D11C8771
	3323	78		219	25	44.5	64	16	56	393	4G206	3.11	3.11	3.11	3.11	3.11	3.11	3.11	3.11	105.2	82.46	D11C8772
	3384	83		219	25	44.5	76	19	67	398	4G307	5.49	5.49	5.49	5.49	5.49	5.49	5.49	5.49	132.8	101.4	D11C8775
2600	3414	107	1500	159	19	38.1	52	13	46	373	4G205	1.45	1.45	1.45	1.45	1.45	1.45	—	—	98.7	53.81	D12C8751
	3520	117		159	25	44.5	64	16	56	380	4G206	2.90	2.90	2.90	2.90	2.90	2.90	—	—	79.4	55.56	D12C8752
	3581	122		159	25	44.5	76	19	67	386	4G307	5.11	5.11	5.11	5.11	5.11	5.11	—	—	96.2	63.27	D12C8755
	3581	122		159	25	44.5	76	19	67	386	4G308	8.29	8.29	8.29	8.29	8.29	8.29	—	—	105.6	64.35	D12C8756
	3414	90		194	19	38.1	52	13	46	390	4G205	1.45	1.45	1.45	1.45	1.45	1.45	1.45	—	90.9	75.13	D12C8761
	3520	99		194	25	44.5	64	16	56	398	4G206	2.90	2.90	2.90	2.90	2.90	2.90	2.90	—	100.6	76.71	D12C8762
	3581	104		194	25	44.5	76	19	67	403	4G307	5.11	5.11	5.11	5.11	5.11	5.11	5.11	—	110.6	77.68	D12C8765
	3581	104		194	25	44.5	76	19	67	403	4G308	8.29	8.29	8.29	8.29	8.29	8.29	8.29	—	137.6	96.26	D12C8766
	3414	77		219	19	38.1	52	13	46	402	4G205	1.45	1.45	1.45	1.45	1.45	1.45	1.45	1.45	101.0	85.26	D12C8771
	3520	86		219	25	44.5	64	16	56	410	4G206	2.90	2.90	2.90	2.90	2.90	2.90	2.90	2.90	111.6	87.74	D12C8772
	3581	92		219	25	44.5	76	19	67	415	4G307	5.11	5.11	5.11	5.11	5.11	5.11	5.11	5.11	141.0	108	D12C8775
	3581	92		219	25	44.5	76	19	67	415	4G308	8.29	8.29	8.29	8.29	8.29	8.29	8.29	8.29	150.4	109.10	D12C8776
		3611		116		159	19	38.1	52	13	46	390	4G205	1.36	1.36	1.36	1.36	1.36	1.36	—	—	77.7

Belt Width	A	H1	L	D	m	T	t	d	b	H	Bearin g	Load Capacity KN							Weight KG	Weight Move parts	Dwg Nr.	
												v=1.0	v=1.25	v=1.6	v=2.0	v=2.5	v=3.15	v=4.0				v=5.0
2800	3717	125	1600	159	25	44.5	64	16	56	398	4G206	2.71	2.71	2.71	2.71	2.71	2.71	—	—	84.0	58.99	D13C8752
	3778	131		159	25	44.5	76	19	67	403	4G307	4.77	4.77	4.77	4.77	4.77	4.77	—	—	101.5	67.06	D13C8755
	3778	131		159	25	44.5	76	19	67	403	4G308	7.74	7.74	7.74	7.74	7.74	7.74	—	—	111.4	68.15	D13C8756
	3611	98		194	19	38.1	52	13	46	407	4G205	1.36	1.36	1.36	1.36	1.36	1.36	1.36	—	96.3	79.79	D13C8761
	3717	108		194	25	44.5	64	16	56	415	4G206	2.71	2.71	2.71	2.71	2.71	2.71	2.71	—	106.3	81.37	D13C8762
	3778	113		194	25	44.5	76	19	67	420	4G307	4.77	4.77	4.77	4.77	4.77	4.77	4.77	—	116.8	82.34	D13C8765
	3778	113		194	25	44.5	76	19	67	420	4G308	7.74	7.74	7.74	7.74	7.74	7.74	7.74		145.4	102.1	D13C8766
	3611	86		219	19	38.1	52	13	46	420	4G205	1.36	1.36	1.36	1.36	1.36	1.36	1.36	1.36	107.0	90.54	D13C8771
	3717	95		219	25	44.5	64	16	56	427	4G206	2.71	2.71	2.71	2.71	2.71	2.71	2.71	—	118.0	93.02	D13C8772
	3778	100		219	25	44.5	76	19	67	433	4G307	4.77	4.77	4.77	4.77	4.77	4.77	4.77	4.77	149.1	114.6	D13C8775
3778	100	219	25	44.5	76	19	67	433	4G308	7.74	7.74	7.74	7.74	7.74	7.74	7.74	7.74	159.0	115.7	D13C8776		
3000	3808	125	1700	159	19	38.1	52	13	46	407	4G205	1.27	1.27	1.27	1.27	1.27	1.27	—	—	78.3	60.67	D14C8751
	3914	134		159	25	44.5	64	16	56	415	4G206	2.54	2.54	2.54	2.54	2.54	2.54	—	—	88.5	62.42	D14C8752
	3974	139		159	25	44.5	76	19	67	420	4G307	4.48	4.48	4.48	4.48	4.48	4.48	—	—	106.8	70.86	D14C8755
	3974	139		159	25	44.5	76	19	67	420	4G308	7.26	7.26	7.26	7.26	7.26	7.26	—	—	117.2	71.95	D14C8756
	3808	107		194	19	38.1	52	13	46	425	4G205	1.27	1.27	1.27	1.27	1.27	1.27	1.27	—	101.7	84.45	D14C8761
	3914	116		194	25	44.5	64	16	56	432	4G206	2.54	2.54	2.54	2.54	2.54	2.54	2.54	—	112.1	86.03	D14C8762
	3974	122		194	25	44.5	76	19	67	438	4G307	4.48	4.48	4.48	4.48	4.48	4.48	4.48	—	123.0	87.00	D14C8765
	3974	122		194	25	44.5	76	19	67	438	4G308	7.26	7.26	7.26	7.26	7.26	7.26	7.26	—	153.2	107.9	D14C8766
	3808	94		29	19	38.1	52	13	46	437	4G205	1.27	1.27	1.27	1.27	1.27	1.27	1.27	—	113.1	95.81	D14C8771
	3914	104		219	25	44.5	64	16	56	450	4G206	2.54	2.54	2.54	2.54	2.54	2.54	2.54	2.54	124.4	98.29	D14C8772
	3974	109		219	25	44.5	76	19	67	450	4G307	4.48	4.48	4.48	4.48	4.48	4.48	4.48	4.48	157.2	121.2	D14C8775
	3974	109		219	25	44.5	76	19	67	450	4G308	7.26	7.26	7.26	7.26	7.26	7.26	7.26	7.26	167.6	122.3	D14C8776



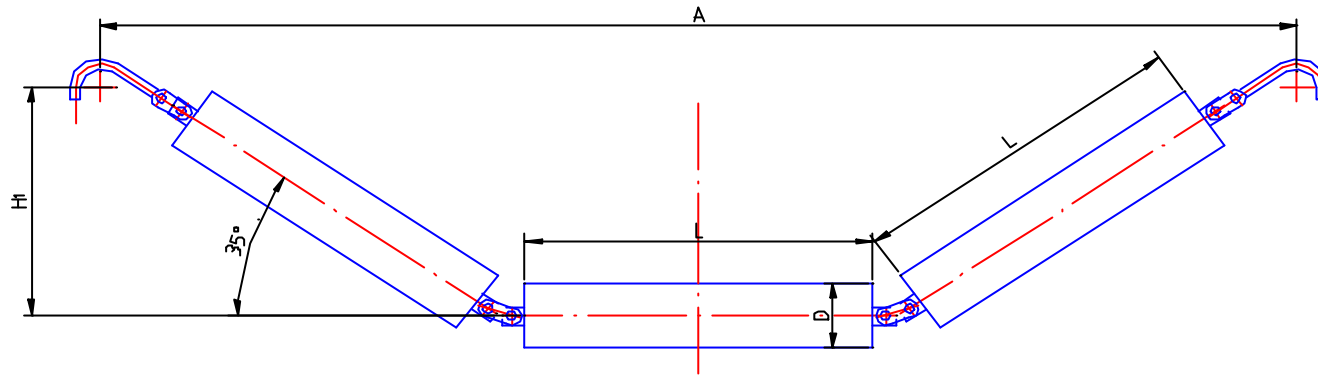
Two Roller
Lower V-Shape
Return Cleaning Garland Kit

Belt Width	A	H1	L	D	m	T	t	d	b	H	Bearing	Laod Capacity KN						Weight KG	Weight Move Parts	Dwg Nr.	
												v=1.0	v=1.25	v=1.6	v=2.0	v=2.5	v=3.15				v=4.0
1000	1570	50	600	89	16	31.75	44	11	39	177	4G204	1.73	1.73	1.73	1.73	1.73	1.73	1.73	17.1	11.96	D4C8520
	1570	40		108	16	31.75	44	11	39	186	4G204	1.73	1.73	1.73	1.73	1.73	1.73	1.73	17.6	12.44	D4C8530
	1570	27		133	16	31.75	44	11	39	198	4G204	1.73	1.73	1.73	1.73	1.73	1.73	1.73	20.0	14.82	D4C8540
	1570	14		159	16	31.75	44	11	39	211	4G204	1.73	1.73	1.73	1.73	1.73	1.73	1.73	25.5	20.30	D4C8550
1200	1766	58	700	89	16	31.75	44	11	39	194	4G204	1.45	1.45	1.45	1.45	1.45	1.45	1.45	19.1	13.46	D5C8520
	1839	65		89	19	38.1	52	13	46	199	4G205	3.30	3.30	3.30	3.30	3.30	3.30	3.30	29.8	20.96	D5C8521
	1766	49		108	16	31.75	44	11	39	203	4G204	1.45	1.45	1.45	1.45	1.45	1.45	1.45	19.8	14.18	D5C8530
	1839	55		108	19	38.1	52	13	46	209	4G205	3.30	3.30	3.30	3.30	3.30	3.30	3.30	30.5	21.68	D5C8531
	1766	36		133	16	31.75	44	11	39	216	4G204	1.45	1.45	1.45	1.45	1.45	1.45	1.45	26.5	20.80	D5C8540
	1839	42		133	19	38.1	52	13	46	221	4G205	3.30	3.30	3.30	3.30	3.30	3.30	3.30	30.1	21.25	D5C8541
	1766	23		133	16	31.75	44	11	39	228	4G204	1.45	1.45	1.45	1.45	1.45	1.45	1.45	35.7	30.00	D5C8550
Belt Width	A	H1	L	D	m	T	t	d	b	H	Bearing	Laod Capacity KN						Weight KG	Weight Move Parts	Dwg Nr.	
												v=1.25	v=1.6	v=2.0	v=2.5	v=3.15	v=4.0				v=5.0
1200	1839	29	700	159	19	38.1	52	13	46	234	4G205	3.30	3.30	3.30	3.30	3.30	3.30	3.30	39.3	30.45	D5C8551
1400	1963	57	800	108	16	31.75	44	11	39	221	4G204	1.26	1.26	1.26	1.26	1.26	—	—	22.1	15.91	D6C8530
	2035	64		108	19	38.1	52	13	46	226	4G205	2.85	2.85	2.85	2.85	2.85	—	—	34.2	24.56	D6C8531
	1963	45		133	16	31.75	44	11	39	233	4G204	1.26	1.26	1.26	1.26	1.26	1.26	—	—	29.8	23.56

Belt Width	A	H1	L	D	m	T	t	d	b	H	Bearing	Laod Capacity KN							Weight KG	Weight Move Parts	Dwg Nr.	
												v=1.0	v=1.25	v=1.6	v=2.0	v=2.5	v=3.15	v=4.0				v=5.0
1400	2035	51	800	133	19	38.1	52	13	46	238	4G205	2.85	2.85	2.85	2.85	2.85	2.85	—	—	33.7	24.10	D6C8541
	1963	32		159	16	31.75	44	11	39	246	4G204	1.26	1.26	1.26	1.26	1.26	1.26	1.26	—	40.2	34.09	D6C8550
	2035	38		159	19	38.1	52	13	46	251	4G205	2.85	2.85	2.85	2.85	2.85	2.85	2.85	—	44.2	34.54	D6C8551
1600	2160	53	900	133	16	31.75	44	11	39	250	4G204	1.10	1.10	1.10	1.10	1.10	1.10	—	—	33.1	26.50	D7C8540
	2232	60		133	19	38.1	52	13	46	256	4G205	2.51	2.51	2.51	2.51	2.51	2.51	—	—	37.3	26.95	D7C8541
	2160	40		159	16	31.25	44	11	39	263	4G204	1.10	1.10	1.10	1.10	1.10	1.10	1.10	—	44.8	38.18	D7C8550
	2232	47		159	19	38.1	52	13	46	268	4G205	2.51	2.51	2.51	2.51	2.51	2.51	2.51	—	56.9	38.63	D7C8551
	2160	23		194	16	31.75	44	11	39	280	4G204	1.10	1.10	1.10	1.10	1.10	1.10	1.10	1.10	66.1	59.43	D7C8560
	2232	29		194	19	38.1	52	13	46	286	4G205	2.51	2.51	2.51	2.51	2.51	2.51	2.51	2.51	70.3	59.91	D7C8561
1800	2429	69	1000	133	19	38.1	52	13	46	273	4G205	2.24	2.24	2.24	2.24	2.24	2.24	—	—	44.7	29.80	D8C8541
	2535	78		133	25	44.45	64	16	56	281	4G206	4.46	4.46	4.46	4.46	4.46	4.46	—	—	55.6	30.75	D8C8542
	2429	55		159	19	38.1	52	13	46	286	4G205	2.24	2.24	2.24	2.24	2.24	2.24	2.24	—	57.7	42.72	D8C8551
	2535	65		159	25	44.45	64	16	56	294	4G206	4.46	4.46	4.46	4.46	4.46	4.46	4.46	—	60.6	43.67	D8C8552
	2429	38		194	19	38.1	52	13	46	303	4G205	2.24	2.24	2.24	2.24	2.24	2.24	2.24	2.24	77.5	66.33	D8C8561
	2535	47		194	25	44.45	64	16	56	311	4G206	4.46	4.46	4.46	4.46	4.46	4.46	4.46	4.46	83.9	66.96	D8C8562
Belt Width	A	H1	L	D	m	T	t	d	b	H	Bearing	Laod Capacity KN							Weight KG	Weight Move Parts	Dwg Nr.	
												v=1.6	v=2.0	v=2.5	v=3.15	v=4.0	v=5.0	v=6.3				v=7.1
2000	2626	77	1100	133	19	38.1	52	13	46	290	4G205	2.02	2.02	2.02	2.02	2.02	—	—	—	44.6	32.65	D9C8541
	2732	87		133	25	44.45	64	16	56	298	4G206	4.03	4.03	4.03	4.03	4.03	—	—	—	51.7	33.60	D9C8542
	2626	64		159	19	38.1	52	13	46	303	4G205	2.02	2.02	2.02	2.02	2.02	2.02	—	—	58.7	46.81	D9C8551
	2732	73		159	25	44.45	64	16	56	311	4G206	4.03	4.03	4.03	4.03	4.03	4.03	—	—	65.9	55.68	D9C8552
	2626	46		194	19	38.1	52	13	46	320	4G205	2.02	2.02	2.02	2.02	2.02	2.02	2.02	—	84.7	72.75	D9C8561
	2732	56		194	25	44.45	64	16	56	328	4G206	4.03	4.03	4.03	4.03	4.03	4.03	4.03	—	91.5	73.38	D9C8562
2200	2822	95	1250	133	19	38.1	52	13	46	316	4G205	1.76	1.76	1.76	1.76	1.76	—	—	—	48.8	36.67	D10C8541
	3027	104		133	25	44.45	64	16	56	324	4G206	3.51	3.51	3.51	3.51	3.51	—	—	—	57.4	37.62	D10C8542
	2922	81		159	19	38.1	52	13	46	329	4G205	1.76	1.76	1.76	1.76	1.76	1.76	—	—	66.0	52.95	D10C8551
	3027	91		159	25	44.45	64	16	56	337	4G206	3.51	3.51	3.51	3.51	3.51	3.51	—	—	73.7	53.90	D10C8552
	2922	64		194	19	38.1	52	13	46	346	4G205	7.76	7.76	7.76	7.76	7.76	7.76	7.76	—	95.5	82.37	D10C8561
	3027	73		194	25	44.45	64	16	56	354	4G206	3.51	3.51	3.51	3.51	3.51	3.51	3.51	—	102.8	83.00	D10C8562
	3217	99		159	19	38.1	52	13	46	355	4G205	1.56	1.56	1.56	1.56	1.56	1.56	—	—	73.3	59.09	D11C8551

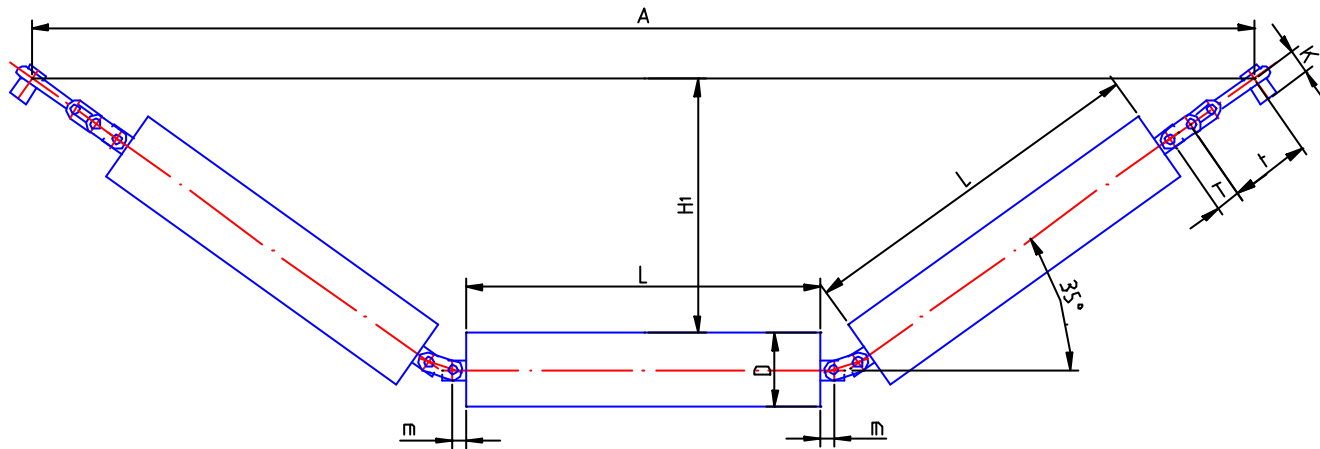
Belt Width	A	H1	L	D	m	T	t	d	b	H	Bearing	Laod Capacity KN							Weight KG	Weight Move Parts	Dwg Nr.	
												v=1.0	v=1.25	v=1.6	v=2.0	v=2.5	v=3.15	v=4.0				v=5.0
2400	3323	108	1400	159	25	44.45	64	16	56	363	4G206	3.11	3.11	3.11	3.11	3.11	3.11	—	—	81.5	60.03	D11C8552
	3323	108		159	25	44.45	64	13	46	363	4G307	5.49	5.49	5.49	5.49	5.49	5.49	—	—	108.6	77.85	D11C8555
	3217	81		194	19	38.1	52	16	56	373	4G205	1.56	1.56	1.56	1.56	1.56	1.56	1.56	—	106.3	92.00	D11C8561
	3323	90		194	25	44.45	64	13	46	380	4G206	3.11	3.11	3.11	3.11	3.11	3.11	3.11	—	114.0	92.63	D11C8562
	3323	90		194	25	44.45	64	16	56	380	4G307	5.49	5.49	5.49	5.49	5.49	5.49	5.49	—	137.9	107.10	D11C8565
	3217	68		219	19	38.1	52	13	46	385	4G205	1.56	1.56	1.56	1.56	1.56	1.56	1.56	1.56	135.6	121.39	D11C8571
	3323	78		219	25	44.45	64	16	56	393	4G206	3.11	3.11	3.11	3.11	3.11	3.11	3.11	3.11	143.8	122.42	D11C8572
	3323	78		219	25	44.45	64	16	56	393	4G307	5.49	5.49	5.49	5.49	5.49	5.49	5.49	5.49	150.9	128.77	D11C8575
2600	3414	107	1500	159	19	38.1	52	13	46	373	4G205	1.45	1.45	1.45	1.45	1.45	1.45	—	—	78.2	63.18	D12C8551
	3520	117		159	25	44.45	64	16	56	380	4G206	2.90	2.90	2.90	2.90	2.90	2.90	—	—	86.7	64.13	D12C8552
	3520	117		159	25	44.45	64	16	56	380	4G307	5.11	5.11	5.11	5.11	5.11	5.11	—	—	115.7	83.29	D12C8555
	3520	117		159	25	44.45	64	16	56	380	4G309	8.29	8.29	8.29	8.29	8.29	8.29	—	—	141.8	92.43	D12C8557
	3414	90		194	19	38.1	52	13	46	390	4G205	1.45	1.45	1.45	1.45	1.45	1.45	1.45	—	113.4	98.42	D12C8561
	3520	99		194	25	44.45	64	16	56	398	4G206	2.90	2.90	2.90	2.90	2.90	2.90	2.90	—	121.6	99.05	D12C8562
	3520	99		194	25	44.45	64	16	56	398	4G307	5.11	5.11	5.11	5.11	5.11	5.11	5.11	—	146.8	114.40	D12C8565
	3520	99		194	25	44.45	64	16	56	398	4G308	8.29	8.29	8.29	8.29	8.29	8.29	8.29	—	151.8	111.05	D12C8566
	3414	77		219	19	38.1	52	13	46	402	4G205	1.45	1.45	1.45	1.45	1.45	1.45	1.45	—	144.9	129.89	D12C8571
	3520	86		219	25	44.45	64	16	56	410	4G206	2.90	2.90	2.90	2.90	2.90	2.90	2.90	2.90	153.4	130.91	D12C8572
	3520	86		219	25	44.45	64	16	56	410	4G307	5.11	5.11	5.11	5.11	5.11	5.11	5.11	5.11	160.7	137.57	D12C8575
	3520	86		219	25	44.45	64	16	56	410	4G308	8.29	8.29	8.29	8.29	8.29	8.29	8.29	8.29	179.5	138.65	D12C8576
2800	3611	116	1600	159	19	38.1	52	13	46	390	4G205	1.36	1.36	1.36	1.36	1.36	1.36	—	—	83.1	67.27	D13C8551
	3717	125		159	25	44.45	64	16	56	398	4G206	2.71	2.71	2.71	2.71	2.71	2.71	—	—	91.9	68.22	D13C8552
	3717	125		159	25	44.45	64	16	56	398	4G307	4.77	4.77	4.77	4.77	4.77	4.77	—	—	115.9	88.74	D13C8555
	3717	125		159	25	44.45	64	16	56	398	4G309	7.74	7.74	7.74	7.74	7.74	7.74	—	—	150.3	98.38	D13C8557
	3611	98		194	19	38.1	52	13	46	407	4G205	1.36	1.36	1.36	1.36	1.36	1.36	1.36	—	120.6	104.84	D13C8561
	3717	108		194	25	44.45	64	16	56	415	4G206	2.71	2.71	2.71	2.71	2.71	2.71	2.71	—	129.1	105.47	D13C8562
	3717	108		194	25	44.45	64	16	56	415	4G307	4.77	4.77	4.77	4.77	4.77	4.77	4.77	—	148.9	121.70	D13C8565
	3717	108		194	25	44.45	64	16	56	415	4G308	7.74	7.74	7.74	7.74	7.74	7.74	7.74	—	152.9	118.00	D13C8566
	3611	86		219	19	38.1	52	13	46	420	4G205	1.36	1.36	1.36	1.36	1.36	1.36	1.36	1.36	154.2	138.38	D13C8571
	3717	95		219	25	44.45	64	16	56	427	4G206	2.71	2.71	2.71	2.71	2.71	2.71	2.71	2.71	163.0	139.40	D13C8572

Belt Width	A	H1	L	D	m	T	t	d	b	H	Bearing	Laod Capacity KN							Weight KG	Weight Move Parts	Dwg Nr.		
												v=1.0	v=1.25	v=1.6	v=2.0	v=2.5	v=3.15	v=4.0				v=5.0	
	3717	95		219	25	44.45	64	16	56	427	4G307	4.77	4.77	4.77	4.77	4.77	4.77	4.77	4.77	173.6	146.36	D13C8575	
	3717	95		219	25	44.45	64	16	56	427	4G308	7.74	7.74	7.74	7.74	7.74	7.74	7.74	7.74	7.74	182.4	147.44	D13C8576
3000	3808	125	1700	159	19	38.1	52	13	46	407	4G205	1.27	1.27	1.27	1.27	1.27	1.27	—	—	87.9	71.37	D14C8551	
	3914	134		159	25	44.45	64	16	56	415	4G206	2.54	2.54	2.54	2.54	2.54	2.54	—	—	97.1	72.31	D14C8552	
	3914	134		159	25	44.45	64	16	56	415	4G307	4.48	4.48	4.48	4.48	4.48	4.48	—	—	129.6	94.18	D14C8555	
	3914	134		159	25	44.45	64	16	56	415	4G309	7.26	7.26	7.26	7.26	7.26	7.26	—	—	158.7	104.23	D14C8557	
	3808	107		194	19	38.1	52	13	46	425	4G205	1.27	1.27	1.27	1.27	1.27	1.27	1.27	—	—	127.8	103.05	D14C8561
	3914	116		194	25	44.45	64	16	56	432	4G206	2.54	2.54	2.54	2.54	2.54	2.54	2.54	—	—	136.6	111.88	D14C8562
	3914	116		194	25	44.45	64	16	56	432	4G307	4.48	4.48	4.48	4.48	4.48	4.48	4.48	—	—	164.4	129.00	D14C8565
	3914	116		194	25	44.45	64	16	56	432	4G308	7.26	7.26	7.26	7.26	7.26	7.26	7.26	—	—	169.7	124.96	D14C8566
	3808	94		219	19	38.1	52	13	46	437	4G205	1.27	1.27	1.27	1.27	1.27	1.27	1.27	1.27	1.27	163.4	146.87	D14C8571
	3914	104		219	25	44.45	64	16	56	445	4G206	2.54	2.54	2.54	2.54	2.54	2.54	2.54	2.54	2.54	172.6	147.89	D14C8572
	3914	104		219	25	44.45	64	16	56	445	4G307	4.48	4.48	4.48	4.48	4.48	4.48	4.48	4.48	4.48	190.6	155.16	D14C8575
	3914	104		219	25	44.45	64	16	56	445	4G308	7.26	7.26	7.26	7.26	7.26	7.26	7.26	7.26	7.26	201.0	156.24	D14C8576



Trifold Garland Kit

Belt Width	A	L1	L	H1	D	Q	P	S	K	d	Bearing	Laod Capacity KN						Weight KG	Weight Move Parts	Dwg Nr.		
												v=0.8	v=1.0	v=1.25	v=1.6	v=2.0	v=2.5				v=3.15	v=4.0
650	905		250	210	108						4G204	3.74	3.61	3.34	3.08	2.86	2.66	2.46	—	12.8	8.48	D2C8230
					133							3.74	3.74	3.59	3.31	3.06	2.85	2.64	2.43	17.3	13.44	D2C8240
800	1080		315	247	108						4G204	2.76	2.76	2.76	2.76	2.76	2.76	2.66	—	14.8	10.10	D3C8230
					133							2.76	2.76	2.76	2.76	2.76	2.76	2.76	2.64	20.2	16.22	D3C8240
1000	1250		380	285	108						4G204	2.19	2.19	2.19	2.19	2.19	2.19	2.19	—	17.2	11.71	D4C8230
					133							2.19	2.19	2.19	2.19	2.19	2.19	2.19	2.19	2.19	23.9	19.00
1200	1475		465	333	108						4G204	1.72	1.72	1.72	1.72	1.72	1.72	1.72	—	20.3	13.83	D5C8230
					133							1.72	1.72	1.72	1.72	1.72	1.72	1.72	1.72	1.72	28.3	22.64



Trifold Garland Kit

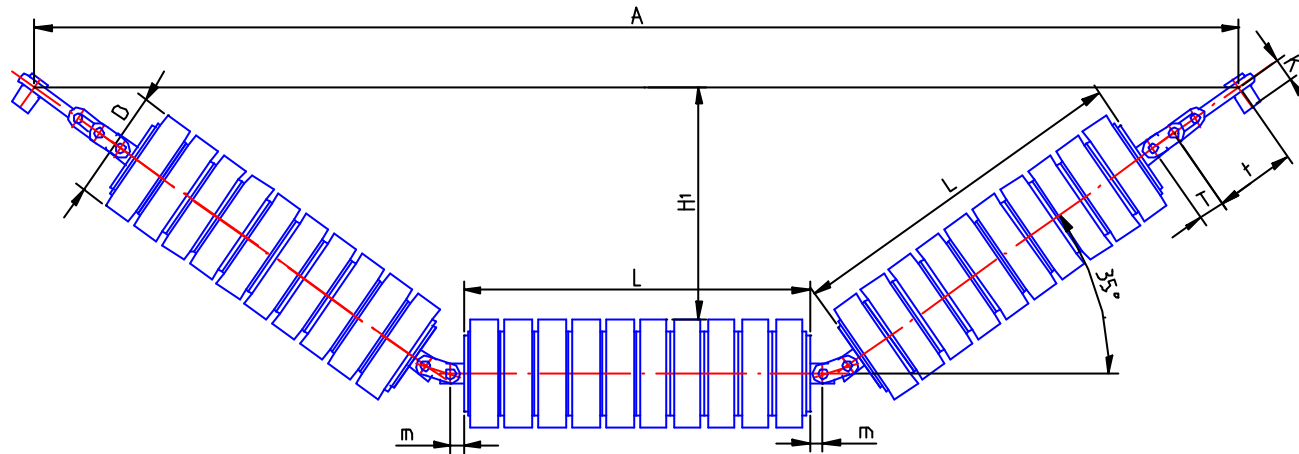
Belt Width	A	H1	L	D	m	T	t	k	á	Bearing	Laod Capacity KN						Weight KG	Weight Move Part	Dwg Nr.		
											v=1.0	v=1.25	v=1.6	v=2.0	v=2.5	v=3.15				v=4.0	v=5.0
1000	1483	305	380	108	19	38.1	150	35	35°	4G205	3.97	3.68	3.39	3.15	2.92	2.71	—	—	22.6	12.45	D4C8831
	1549	322		108	25	44.45	157	35		4G206	5.49	5.09	4.69	4.35	4.04	3.74	—	—	27.6	13.38	D4C8832
	1483	305		108	19	38.1	150	35		4G305	5.01	5.01	5.01	5.01	4.68	4.33	—	—	23.8	13.50	D4C8833
	1549	322		108	25	44.45	157	35		4G306	7.98	7.41	6.82	6.33	5.88	5.44	—	—	33.6	18.89	D4C8834
	1483	292		133	19	38.1	150	35		4G205	4.25	3.95	3.64	3.38	3.13	2.90	2.68	—	37.7	19.74	D4C8841
	1549	309		133	25	44.45	157	35		4G206	5.88	5.46	5.03	4.67	4.33	4.01	3.70	—	35.0	21.27	D4C8842
	1483	292		133	19	38.1	150	35		4G305	5.01	5.01	5.01	5.01	5.01	4.64	4.29	—	31.7	21.38	D4C8843
	1549	309		133	25	44.45	157	35		4G306	8.55	7.94	7.31	6.79	6.30	5.83	5.39	—	38.0	23.26	D4C8844
	1483	279		159	19	38.1	150	35		4G205	4.52	4.19	3.86	3.58	3.33	3.08	2.84	2.64	33.8	23.09	D4C8851
	1549	296		159	25	44.45	157	35		4G206	6.24	5.79	5.34	4.95	4.60	4.26	3.93	3.65	40.0	25.71	D4C8852
	1483	279		159	19	38.1	150	35		4G305	5.01	5.01	5.01	5.01	5.01	4.93	4.55	4.23	36.2	25.82	D4C8853
	1549	296		159	25	44.45	157	35		4G306	9.08	8.43	7.76	7.20	6.69	6.19	5.72	5.31	42.0	27.31	D4C8854
	1707	354		108	19	38.1	150	35	35°	4G205	3.93	3.68	3.39	3.15	2.92	2.71	—	—	25.7	14.56	D5C8831
	1774	370		108	25	44.45	157	35		4G206	5.49	5.09	4.69	4.35	4.04	3.74	—	—	31.2	15.50	D5C8832
	1774	370		108	25	44.45	157	35		4G306	7.89	7.41	6.82	6.33	5.88	5.44	—	—	37.9	21.82	D5C8834
	1802	380		108	25	44.45	175	41		4G307	9.46	8.78	8.09	7.51	6.97	6.45	—	—	46.1	24.83	D5C8835
	1707	341		133	19	38.1	150	35		4G205	3.93	3.93	3.64	3.38	3.13	2.90	2.68	—	34.5	23.38	D5C8841

Belt Width	A	H1	L	D	m	T	t	k	á		Bearing	Laod Capacity KN						Weight KG	Weight Move Part	Dwg Nr.		
												v=1.0	v=1.25	v=1.6	v=2.0	v=2.5	v=3.15				v=4.0	v=5.0
1200	1774	358	465	133	25	44.45	157	35			4G206	5.88	5.46	5.03	4.67	4.33	4.01	3.70	—	40.6	24.91	D5C8842
	1774	358		133	25	44.45	157	35			4G306	7.89	7.89	7.31	6.79	6.30	5.83	5.39	—	43.0	26.90	D5C8844
	1802	368		133	25	44.45	175	41			4G307	10.14	9.41	8.67	8.05	7.47	6.92	6.39	—	51.5	30.30	D5C8845
	1707	328		159	19	38.1	150	35			4G205	3.93	3.93	3.86	3.58	3.33	3.08	2.84	2.64	39.2	27.46	D5C8851
	1774	345		159	25	44.45	157	35			4G206	6.24	5.79	5.34	4.95	4.60	4.26	3.93	3.65	45.8	30.08	D5C8852
	1774	345		159	25	44.45	157	35			4G306	7.89	7.89	7.76	7.20	6.69	6.19	5.72	5.31	47.8	31.68	D5C8854
	1802	355		159	25	44.45	175	41			4G307	10.76	9.99	9.20	8.54	7.93	7.34	6.78	6.29	57.2	35.94	D5C8855
	1828	364		159	25	44.45	190	41			4G308	13.15	12.20	11.24	10.43	9.69	8.97	8.28	7.69	64.8	37.56	D5C8856
1400	1945	408	530	108	25	44.45	157	35	35°		4G206	5.49	5.09	4.69	4.35	4.04	3.74	—	—	33.9	17.12	D6C8832
	1945	408		108	25	44.45	157	35			4G306	6.76	6.76	6.76	6.33	5.88	5.44	—	—	41.3	24.06	D6C8834
	1974	418		108	25	44.45	175	41			4G307	9.46	8.78	8.09	7.51	6.97	6.45	—	—	50.1	27.31	D6C8835
	1945	395		133	25	44.45	157	35			4G206	5.88	5.46	5.03	4.67	4.33	4.01	3.70	—	44.4	27.69	D6C8842
	1945	395		133	25	44.45	157	35			4G306	6.76	6.76	6.76	6.76	6.30	5.83	5.39	—	46.9	29.68	D6C8844
	1974	405		133	25	44.45	175	41			4G307	9.41	8.67	8.05	7.47	6.92	6.39	—	—	56.0	33.26	D6C8845
	1999	414		133	25	44.45	190	41			4G308	11.50	10.59	9.83	9.13	8.45	7.80	—	—	64.1	34.88	D6C8846
	1999	414		133	25	44.45	190	41			4G309	13.58	12.51	11.61	10.78	9.98	9.22	—	—	77.2	42.37	D6C8847
	1945	382		159	25	44.45	157	35			4G206	5.79	5.34	4.95	4.60	4.26	3.93	3.65	—	50.2	33.43	D6C8852
	1945	382		159	25	44.45	157	35			4G306	6.76	6.76	6.76	6.69	6.19	5.72	5.31	—	51.2	30.43	D6C8854
	1974	392		159	25	44.45	175	41			4G307	9.99	9.20	8.54	7.93	7.34	6.78	6.29	—	62.4	39.64	D6C8855
	1999	401		159	25	44.45	190	41			4G308	12.20	11.24	10.43	9.69	8.97	8.28	7.69	—	70.4	41.26	D6C8856
	1999	401		159	25	44.45	190	41			4G309	14.42	13.28	12.33	11.44	10.59	9.78	9.08	—	85.0	50.12	D6C8857
	2091	427		159	27	44.45	212	55			4G310	18.46	17.00	15.78	14.65	13.57	12.53	11.63	—	100.5	53.65	D6C8858
1600	2130	435	600	133	25	44.45	157	35	35°		4G206	5.46	5.03	4.67	4.33	4.01	3.70	—	—	48.6	30.69	D7C8842
	2130	435		133	25	44.45	157	35			4G306	5.86	5.86	5.86	5.86	5.83	5.39	—	—	51.0	32.68	D7C8844
	2184	454		133	25	44.45	190	41			4G308	11.50	10.59	9.83	9.13	8.45	7.80	—	—	69.5	38.19	D7C8846
	2130	422		159	25	44.45	157	35			4G206	5.79	5.34	4.95	4.60	4.26	3.93	3.65	—	55.0	37.03	D7C8852
	2130	422		159	25	44.45	157	35			4G306	5.86	5.86	5.86	5.86	5.86	5.72	5.31	—	57.0	37.73	D7C8854
	2184	441		159	25	44.45	190	41			4G308	12.20	11.24	10.43	9.69	8.97	8.28	7.69	—	76.5	37.87	D7C8856
	2184	441		159	25	44.45	190	41			4G309	14.42	13.28	12.33	11.44	10.59	9.78	9.08	—	92.6	55.10	D7C8857
	2275	467		159	27	57.15	212	55			4G310	18.46	17.00	15.78	14.65	13.57	12.53	11.63	—	108.7	58.63	D7C8858

Belt Width	A	H1	L	D	m	T	t	k	á		Bearing	Laod Capacity KN							Weight KG	Weight Move Part	Dwg Nr.	
												v=1.0	v=1.25	v=1.6	v=2.0	v=2.5	v=3.15	v=4.0				v=5.0
	2130	405		194	25	44.45	157	35			4G306	5.86	5.86	5.86	5.86	5.86	5.86	5.67	5.25	71.4	53.05	D7C8864
	2184	424		194	25	44.45	190	41			4G308	13.04	12.01	11.15	10.35	9.58	8.85	8.21	7.60	96.9	65.66	D7C8866
	2184	424		194	25	44.45	190	41			4G309	15.41	14.19	13.17	12.23	11.32	10.45	9.70	8.98	103.7	67.03	D7C8867
	2275	450		194	27	57.15	212	55			4G310	19.73	18.17	16.87	15.66	14.50	13.39	12.43	11.50	121.1	71.03	D7C8868
1800	2315	475	670	133	25	44.45	157	35			4G306	5.17	5.17	5.17	5.17	5.17	5.17	—	—	55.2	35.67	D8C8844
	2368	494		133	25	44.45	190	41			4G308	11.50	10.59	9.83	9.13	8.45	7.80	—	—	74.8	41.50	D8C8846
	2343	472		159	25	44.45	175	41			4G307	9.15	9.15	8.54	7.93	7.34	6.78	6.29	—	73.5	47.61	D8C8855
	2368	481		159	25	44.45	190	41			4G308	12.20	11.24	10.43	9.69	8.97	8.28	7.69	—	82.6	49.24	D8C8856
	2360	481		159	25	44.45	190	41			4G309	14.42	13.28	12.33	11.44	10.59	9.78	9.08	—	100.2	60.08	D8C8857
	2460	507		159	27	57.15	212	55			4G310	18.46	17.00	15.78	14.65	13.57	12.53	11.63	—	116.9	63.61	D8C8858
	2368	464		194	25	44.45	190	41			4G308	13.04	12.01	11.15	10.35	9.58	8.85	8.21	7.60	105.1	71.78	D8C8866
	2368	464		194	25	44.45	190	41			4G309	15.41	14.19	13.17	12.23	11.32	10.45	9.70	8.98	112.4	73.16	D8C8867
	2460	490		194	27	57.15	212	55			4G310	19.73	18.17	16.87	15.66	14.50	13.39	12.43	11.50	130.4	77.15	D8C8868
	2478	496		194	28	57.15	223	55			4G312	26.13	24.06	22.34	20.74	19.20	17.73	16.46	15.24	156.0	81.35	D8C8869
2000	2554	531	750	133	25	44.45	175	41			4G307	8.06	8.06	8.05	7.47	6.92	6.39	—	—	71.4	43.67	D9C8845
	2580	540		133	25	44.45	190	41			4G308	11.50	10.59	9.83	9.13	8.45	7.80	—	—	81.0	45.29	D9C8846
	2554	518		159	25	44.45	175	41			4G307	8.06	8.06	8.06	7.93	7.34	6.78	6.29	—	79.9	45.88	D9C8855
	2580	527		159	25	44.45	190	41			4G308	12.20	11.24	10.43	9.69	8.97	8.28	7.69	—	89.5	53.80	D9C8856
	2580	527		159	25	44.45	190	41			4G309	14.42	13.28	12.33	11.44	10.59	9.28	9.08	—	108.5	65.78	D9C8857
	2671	553		159	27	57.15	212	55			4G310	18.46	17.00	15.78	14.65	13.57	12.53	11.63	—	126.3	69.31	D9C8858
	2580	510		194	25	44.45	190	41			4G308	13.04	12.01	11.15	10.35	9.58	8.85	8.21	7.60	114.5	78.78	D9C8866
	2580	510		194	25	44.45	190	41			4G309	15.41	14.19	13.17	12.23	11.32	10.45	9.70	8.98	122.4	80.16	D9C8867
	2671	536		194	27	57.15	212	55			4G310	19.73	18.17	16.87	15.66	14.50	13.39	12.43	11.50	141.1	84.15	D9C8868
	2694	543		194	28	57.15	223	55			4G312	26.13	24.06	22.34	20.74	19.2	17.73	16.46	15.24	168.3	88.35	D9C8869
2200	2686	560	800	133	25	44.45	175	41	35°		4G307	7.50	7.50	7.50	7.47	6.92	6.39	—	—	74.9	46.04	D10C8845
	2711	569		133	25	44.45	190	41			4G308	11.50	11.59	9.83	9.13	8.45	7.80	—	—	84.8	47.66	D10C8846
	2686	547		159	25	44.45	175	41			4G307	7.50	7.50	7.50	7.50	7.34	6.78	6.29	—	83.9	55.02	D10C8855
	2711	556		159	25	44.45	190	41			4G308	12.20	11.24	10.43	9.69	8.97	8.28	7.69	—	93.8	56.65	D10C8856
	2711	556		159	25	44.45	190	41			4G309	14.42	13.28	12.33	11.44	10.59	9.78	9.08	—	114.3	69.33	D10C8857
	2803	582		159	27	57.15	212	55			4G310	18.46	17.00	15.78	14.65	13.57	12.53	11.63	—	132.2	72.86	D10C8858

Belt Width	A	H1	L	D	m	T	t	k	á		Bearing	Laod Capacity KN						Weight KG	Weight Move Part	Dwg Nr.		
												v=1.0	v=1.25	v=1.6	v=2.0	v=2.5	v=3.15				v=4.0	v=5.0
	2711	538		194	25	44.45	190	41			4G308	12.33	12.01	11.15	10.35	9.58	8.85	8.21	7.60	120.3	83.15	D10C8866
	2711	538		194	25	44.45	190	41			4G309	15.41	14.19	13.17	12.23	11.32	10.45	9.70	8.98	128.7	84.53	D10C8867
	2803	564		194	27	57.15	212	55			4G310	19.73	18.17	16.87	15.66	14.50	13.39	12.43	11.50	147.8	88.52	D10C8868
	2826	572		194	28	57.15	223	55			4G312	26.13	24.06	22.34	20.74	19.20	17.73	16.46	15.24	176.0	92.72	D10C8869
2400	2950	604	900	159	25	44.45	175	41			4G307	6.59	6.59	6.59	6.59	6.59	6.59	6.29	—	91.9	60.72	D11C8855
	2975	613		159	25	44.45	190	41			4G308	10.73	10.73	10.43	9.69	8.97	8.28	7.69	—	102.5	62.34	D11C8856
	2975	613		159	25	44.45	190	41			4G309	14.42	13.28	12.33	11.44	10.59	9.78	9.08	—	125.1	76.45	D11C8857
	3067	639		159	27	57.15	212	55			4G310	18.46	17.00	15.78	14.65	13.57	12.53	11.63	—	143.9	79.98	D11C8858
	2975	596		194	25	44.45	190	41			4G308	10.73	10.73	10.73	10.35	9.58	8.85	8.21	7.60	132.1	91.90	D11C8866
	2975	596		194	25	44.45	190	41			4G309	15.41	14.19	13.17	12.23	11.32	10.45	9.70	8.98	141.1	93.28	D11C8867
	3067	622		194	27	57.15	212	55			4G310	18.17	16.87	15.66	14.50	13.39	12.43	11.50	—	161.2	97.27	D11C8868
	3090	629		194	28	57.15	223	55			4G312	24.06	22.34	20.74	19.20	17.73	16.46	15.24	—	191.4	101.47	D11C8869
	3115	637		194	30	57.15	232	55			4G313	27.26	25.3	23.49	21.75	20.08	18.64	17.26	—	222.8	103.85	D11C88610
	2975	583		219	25	44.45	190	41			4G308	10.73	10.73	10.73	9.98	9.21	8.55	7.92	7.61	144.3	104.16	D11C8876
	2975	583		219	25	44.45	190	41			4G309	14.77	13.71	12.73	11.79	10.88	10.10	9.35	8.99	153.4	105.53	D11C8877
	3067	609		219	27	57.15	212	55			4G310	18.92	17.56	16.30	15.09	13.94	12.94	11.98	11.51	173.8	109.88	D11C8878
	3090	617		219	28	57.15	223	55			4G312	5.06	23.26	21.59	19.99	18.26	17.14	15.87	15.25	204.0	114.08	D11C8879
	3115	624		219	30	57.15	232	55			4G313	28.58	26.35	24.26	22.64	20.91	19.41	17.97	17.27	255.6	116.45	D11C88710
2600	3082	633	950	159	25	44.45	175	41			4G307	6.21	6.21	6.21	6.21	6.21	6.21	—	—	95.8	63.57	D12C8855
	3107	642		159	25	44.45	190	41			4G308	10.11	10.11	9.69	8.97	8.28	7.69	—	—	106.8	65.19	D12C8856
	3107	642		159	25	44.45	190	41			4G309	13.28	12.33	11.44	10.59	9.78	9.08	—	—	130.6	80.02	D12C8857
	3199	668		159	27	57.15	212	55			4G310	17.00	15.78	14.65	13.57	12.53	11.63	—	—	149.8	83.54	D12C8858
	3107	624		194	25	44.45	190	41			4G308	10.11	10.11	10.11	9.58	8.85	8.21	7.60	—	137.9	96.28	D12C8866
	3107	624		194	25	44.45	190	41			4G309	14.19	13.17	12.23	11.32	10.45	9.70	8.98	—	147.4	97.66	D12C8867
	3199	650		194	27	57.15	212	55			4G310	18.17	16.87	15.66	14.50	13.39	12.43	11.50	—	167.9	101.16	D12C8868
	3222	658		194	28	57.15	223	55			4G312	24.06	22.34	20.74	19.20	17.73	16.46	15.24	—	199.1	105.85	D12C8869
	3247	665		194	30	57.15	232	55			4G313	27.26	25.30	23.49	21.75	20.08	18.64	17.26	—	221.3	108.22	D12C88610
	3107	612		219	25	44.45	190	41			4G308	10.11	10.11	10.11	9.98	9.21	8.55	7.92	7.61	150.7	109.12	D12C8876
	3107	612		219	25	44.45	190	41			4G309	14.77	13.71	12.73	11.79	10.88	10.10	9.35	8.99	160.2	110.48	D12C8877
	3199	638		219	27	57.15	212	55			4G310	18.92	17.56	16.3	15.09	13.94	12.94	11.98	11.51	181.1	114.84	D12C8878

Belt Width	A	H1	L	D	m	T	t	k	á		Bearing	Laod Capacity KN						Weight KG	Weight Move Part	Dwg Nr.						
												v=1.0	v=1.25	v=1.6	v=2.0	v=2.5	v=3.15				v=4.0	v=5.0				
	3222	645		219	28	57.15	223	55			4G312	25.06	23.26	21.59	19.99	18.46	17.14	15.87	15.25	212.3	119.03	D12C8879				
	3247	653		219	30	57.15	232	55			4G313	28.38	26.35	24.26	22.64	20.91	19.41	17.97	17.27	234.4	121.40	D12C88710				
2800	3371	699	1050	159	25	44.45	190	41	35°		4G308	9.07	9.07	9.07	8.97	8.28	7.69	—	—	115.5	70.89	D13C8856				
	3463	725		159	27	57.15	212	55			4G310	17.00	15.78	14.65	13.57	12.53	11.63	—	—	130.0	90.66	D13C8858				
	3371	682		194	25	44.45	190	41			4G308	9.07	9.07	9.07	9.07	8.85	8.21	7.60	—	155.2	105.02	D13C8866				
	3463	708		194	27	57.15	212	55			4G310	18.17	16.87	15.66	14.50	13.39	12.43	11.50	—	181.2	110.39	D13C8868				
	3486	715		194	28	57.15	223	55			4G312	24.06	22.34	20.74	19.20	17.73	16.46	15.24	—	214.6	114.59	D13C8869				
	3511	723		194	30	57.15	232	55			4G313	27.26	25.30	23.49	21.75	20.08	18.64	17.26	—	237.8	116.97	D13C88610				
	3371	669		219	25	44.45	190	41			4G308	9.07	9.07	9.07	9.07	9.07	8.55	7.92	7.61	163.6	119.04	D13C8876				
	3463	695		219	27	57.15	212	55			4G310	18.92	17.56	16.30	15.09	13.94	12.94	11.98	11.51	195.6	124.75	D13C8878				
	3486	703		219	28	57.15	223	55			4G312	25.06	23.26	21.59	19.99	18.46	17.14	15.87	15.25	228.9	128.95	D13C8879				
	3511	710		219	30	57.15	232	55			4G313	28.38	26.35	24.26	22.64	20.91	19.41	17.97	17.27	252.1	131.32	D13C88710				
	3000	3556		739	1120	159	25	44.45			190	41			4G308	8.45	8.45	8.45	8.45	8.28	7.69	—	—	121.5	74.88	D14C8856
		3647		765		159	27	57.15			212	55			4G310	17.00	15.78	14.65	13.57	12.53	11.63	—	—	169.7	95.64	D14C8858
3556		722	194	25		44.45	190	41	4G308	8.45	8.45	8.45			8.45	8.45	8.21	7.60	—	157.8	111.15	D14C8866				
3647		748	194	27		57.15	212	55	4G310	18.17	16.87	15.66			14.50	13.39	12.43	11.50	—	193.6	116.52	D14C8868				
3671		755	194	28		57.15	223	55	4G312	24.06	22.34	20.74			19.20	17.73	16.46	15.24	—	225.3	120.72	D14C8869				
3696		763	194	30		57.15	232	55	4G313	27.26	25.30	23.49			21.75	20.08	18.64	17.26	—	249.4	123.09	D14C88610				
3556		709	219	25		44.45	190	41	4G308	8.45	8.45	8.45			8.45	8.45	8.45	7.92	7.61	172.6	125.98	D14C8876				
3647		735	219	27		57.15	212	55	4G310	18.63	17.56	16.30			15.09	3.94	12.94	11.98	11.51	205.8	131.69	D14C8878				
3671		743	219	28		57.15	223	55	4G312	25.06	23.26	21.59			19.99	18.46	17.14	15.87	15.25	240.5	135.89	D14C8879				
3696		750	219	30		57.15	232	55	4G313	28.38	26.35	24.26			22.64	20.91	19.41	17.97	17.27	264.6	138.76	D14C88710				



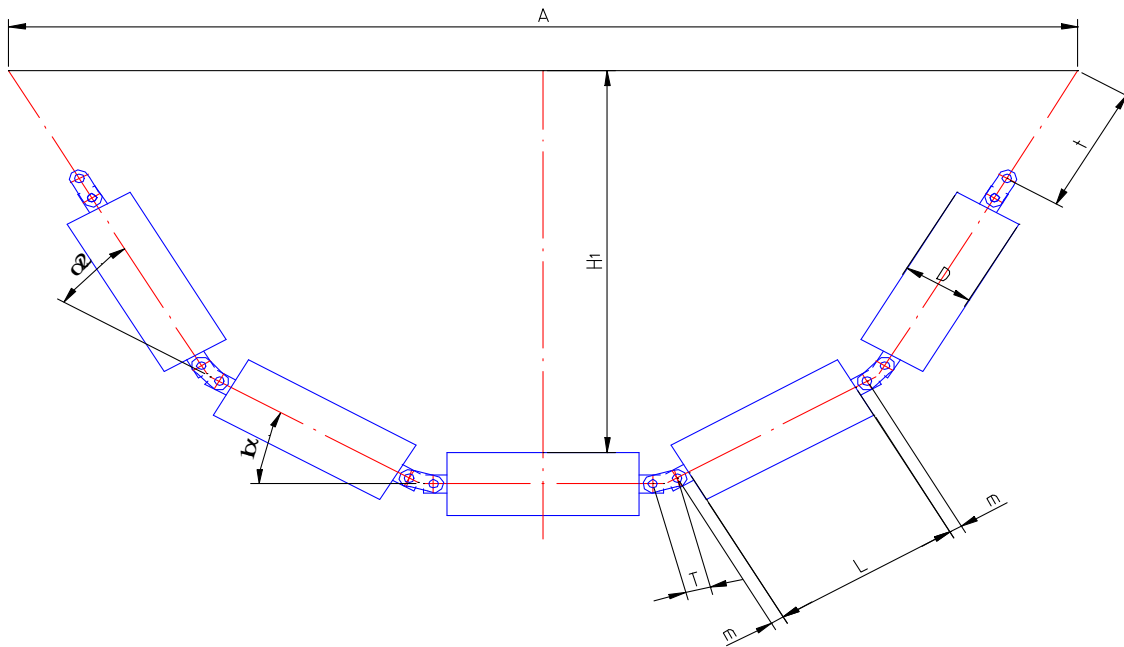
Trifold Impact Garland Kit

Belt Width	A	H1	L	D	m	T	t	k	á	Bearing	Laod Capacity KN							Weight KG	Weight Move Parts	Dwg Nr.	
											v=1.0	v=1.25	v=1.6	v=2.0	v=2.5	v=3.15	v=4.0				v=5.0
1000	1483	305	380	108	19	38.1	149.5	35	35°	4G205	3.97	3.68	3.39	3.15	2.92	2.71	—	—	28.1	18.28	D4C8431
	1549	322		108	25	44.45	157	35		4G206	5.49	5.09	4.69	4.35	4.04	3.74	—	—	40.8	26.54	D4C8432
	1483	305		108	19	38.1	149.5	35		4G305	5.01	5.01	5.01	5.01	4.68	4.33	—	—	39.5	26.66	D4C8433
	1483	292		133	19	38.1	149.5	35		4G205	4.25	3.95	3.64	3.38	3.13	2.90	2.68	—	28.8	18.65	D4C8441
	1549	309		133	25	44.45	157	35		4G206	5.88	5.46	5.03	4.67	4.33	4.01	3.70	—	34.3	20.06	D4C8442
	1483	292		133	19	38.1	149.5	35		4G305	5.01	5.01	5.01	5.01	5.01	4.64	4.29	—	30.5	20.17	D4C8443
	1578	319		133	25	44.45	174.5	41		4G307	10.14	9.41	8.67	8.05	7.47	6.92	6.39	—	45.5	26.10	D4C8445
	1483	279		159	19	38.1	149.5	35		4G205	4.52	4.19	3.86	3.58	3.33	3.08	2.84	2.64	37.0	26.88	D4C8451
	1549	296		159	25	44.45	157	35		4G206	6.24	5.79	5.34	4.95	4.60	4.26	3.93	3.65	42.5	28.28	D4C8452
	1483	279		159	19	38.1	149.5	35		4G305	5.01	5.01	5.01	5.01	5.01	4.93	4.55	4.23	38.7	28.39	D4C8453
	1578	306		159	25	44.45	174.5	41		4G307	10.76	9.99	9.20	8.54	7.93	7.34	6.78	6.29	53.7	34.32	D4C8455
1200	1707	354	465	108	19	38.1	149.5	35	35°	4G205	3.93	3.68	3.39	3.15	2.92	2.71	—	—	33.3	22.15	D5C8431
	1774	370		108	25	44.45	157	35		4G206	5.49	5.09	4.69	4.35	4.04	3.74	—	—	47.8	32.15	D5C8432
	1707	341		133	19	38.1	149.5	35		4G205	3.93	3.93	3.64	3.38	3.13	2.90	2.68	—	45.7	24.51	D5C8441
	1774	358		133	25	44.45	157	35		4G206	5.88	5.46	5.03	4.67	4.33	4.01	3.70	—	39.7	24.05	D5C8442
	1802	368		133	25	44.45	174.5	41		4G307	10.14	9.41	8.67	8.05	7.47	6.92	6.39	—	53.1	31.81	D5C8445
	1707	328		159	19	38.1	149.5	35		4G205	3.93	3.93	3.86	3.58	3.33	3.08	2.84	2.64	43.9	32.71	D5C8451

Belt Width	A	H1	L	D	m	T	t	k	á	Bearing	Laod Capacity KN							Weight KG	Weight Move Parts	Dwg Nr.	
											v=1.0	v=1.25	v=1.6	v=2.0	v=2.5	v=3.15	v=4.0				v=5.0
	1774	345		159	25	44.45	157	35		4G206	6.24	5.79	5.34	4.95	4.60	4.26	3.93	3.65	49.8	34.13	D5C8452
	1774	345		159	25	44.45	157	35		4G306	7.89	7.89	7.76	7.20	6.69	6.19	5.72	5.31	56.1	40.05	D5C8454
	1802	355		159	25	44.45	174.5	41		4G307	10.76	9.99	9.20	8.54	7.93	7.34	6.78	6.29	63.2	41.89	D5C8455
	1828	364		159	25	44.45	190	41		4G309	15.53	14.42	13.28	12.33	11.44	10.59	9.78	9.08	79.9	47.53	D5C8457
	1879	391	530	108	19	38.1	149.5	35		4G205	3.37	3.37	3.37	3.15	2.92	2.71	—	—	36.7	24.78	D6C4831
	1945	408		108	25	44.45	157	35		4G206	5.49	5.09	4.69	4.35	4.04	3.74	—	—	52.5	35.77	D6C4832
	1945	395		133	25	44.45	157	35		4G206	5.88	5.46	5.03	4.67	4.33	4.01	3.70	—	43.6	26.87	D6C4842
	1974	405		133	25	44.45	174.5	41		4G307	10.14	9.41	8.67	8.05	7.47	6.92	6.39	—	58.7	35.95	D6C4845
	1945	382		159	25	44.45	157	35		4G206	6.24	5.79	5.34	4.95	4.60	4.26	3.93	3.65	54.2	37.48	D6C4852
	1974	392		159	25	44.45	174.5	41		4G307	10.76	9.99	9.20	8.54	7.93	7.34	6.78	6.29	69.3	46.57	D6C4855
	1999	401		159	25	44.45	190	41		4G309	15.53	14.42	13.28	12.23	11.44	10.59	9.78	9.08	87.6	52.79	D6C4857
	1600	2130		435	600	133	25	44.45		157	35		4G206	5.88	5.46	5.03	4.67	4.33	4.01	3.70	—
2130		435	133	25		44.45	174.5	41	4G307	10.14	9.41		8.67	8.05	7.47	6.92	6.39	—	64.6	40.28	D7C4845
2130		422	159	25		44.45	157	35	4G206	5.79	5.34		4.95	4.60	4.26	3.93	3.65	—	58.9	40.95	D7C8452
2158		432	159	25		44.45	174.5	41	4G307	9.99	9.20		8.54	7.93	7.34	6.78	6.29	—	75.8	51.44	D7C8455
2184		441	159	25		44.45	190	41	4G309	14.42	13.28		12.33	11.44	10.59	9.78	9.08	—	95.7	58.32	D7C8457
2130		405	194	25		44.45	157	35	4G306	5.86	5.86		5.86	5.86	5.86	5.86	5.67	5.25	87.9	69.54	D7C8464
2184		424	194	25		44.45	190	41	4G308	13.04	12.01		11.15	10.35	9.58	8.85	8.21	7.60	103.8	72.67	D7C8466
2184		424	194	25		44.45	190	41	4G309	15.41	14.19		13.17	12.23	11.32	10.45	9.70	8.98	118.4	80.98	D7C8467
2275		450	194	27		57.15	212	55	4G310	19.73	18.17		16.87	15.66	14.50	13.39	12.43	11.50	130.9	80.85	D7C8468
1800		2315	475	670		133	25	44.45	157	35			4G206	5.17	5.03	4.67	4.33	4.01	3.70	—	—
	2343	485	133		25	44.45	174.5	41	4G307	9.15		8.67	8.05	7.47	6.92	6.39	—	—	70.6	44.62	D8C8445
	2343	472	159		25	44.45	174.5	41	4G307	9.15		9.15	8.54	7.93	7.34	6.78	6.29	—	84.4	58.42	D8C8455
	2368	481	159		25	44.45	190	41	4G309	14.42		13.28	12.33	11.44	10.59	9.78	9.08	—	105.7	65.65	D8C8457
	2368	464	194		25	44.45	190	41	4G308	13.04		12.01	11.15	10.35	9.58	8.85	8.21	7.60	115.0	81.68	D8C8466
	2368	464	194		25	44.45	190	41	4G309	15.41		14.19	13.17	12.23	11.32	10.45	9.70	8.98	130.9	90.81	D8C8467
	2460	490	194		27	57.15	212	55	4G310	19.73		18.17	16.87	15.66	14.50	13.39	12.43	11.50	144.9	91.60	D8C8468
	2000	2554	531		750	133	25	44.45	174.5	41			4G307	8.06	8.06	8.05	7.47	6.92	6.39	—	—
2554		518	159	25		44.45	174.5	41	4G307	8.06	8.06		8.06	7.93	7.34	6.78	6.29	—	91.4	63.69	D9C8455
2580		527	159	25		44.45	190	41	4G309	14.42	13.28		12.33	11.44	10.59	9.28	9.08	—	114.8	71.71	D9C8457
2580		510	194	25		44.45	190	41	4G308	13.04	12.01		11.15	10.35	9.58	8.85	8.21	7.60	124.0	88.32	D9C8466

Belt Width	A	H1	L	D	m	T	t	k	á	Bearing	Laod Capacity KN							Weight KG	Weight Move Parts	Dwg Nr.	
											v=1.0	v=1.25	v=1.6	v=2.0	v=2.5	v=3.15	v=4.0				v=5.0
	2580	510		194	25	44.45	190	41		4G309	15.41	14.19	13.17	12.23	11.32	10.45	9.70	8.98	141.5	98.39	D9C8467
	2671	536		194	27	57.15	212	55		4G310	18.17	16.87	15.66	14.50	13.39	12.43	11.50	—	156.6	99.61	D9C8468
2200	2686	560	800	133	25	44.45	174.5	41		4G307	7.50	7.50	7.47	6.92	6.39	—	—	—	81.0	52.12	D10C8445
	2686	547		159	25	44.45	174.5	41		4G307	7.50	7.50	7.50	7.34	6.78	6.29	—	—	96.7	67.78	D10C8446
	2711	556		159	25	44.45	190	41		4G309	13.28	12.33	11.44	10.59	9.78	9.08	—	—	121.1	76.17	D10C8457
	2711	538		194	25	44.45	190	41		4G308	12.01	11.15	10.35	9.58	8.85	8.21	7.60	—	130.7	93.53	D10C8466
	2711	538		194	25	44.45	190	41		4G309	14.19	13.17	12.23	11.32	10.45	9.70	8.89	—	148.8	104.19	D10C8467
	2803	564		194	27	57.15	212	55		4G310	18.17	16.87	15.66	14.50	13.39	12.43	11.50	—	165.2	105.87	D10C8468
	2400	2950		604	900	159	25	44.45		174.5	41		4G307	6.59	6.59	6.59	6.59	6.59	6.29	—	—
2975		613	159	25		44.45	190	41	4G309	13.28	12.33		11.44	10.59	9.78	9.08	—	—	133.8	85.10	D11C8457
2975		596	194	25		44.45	190	41	4G308	10.73	10.73		10.35	9.58	8.85	8.21	7.60	—	144.1	103.97	D11C8466
2975		596	194	25		44.45	190	41	4G309	14.19	13.17		12.23	11.32	10.45	9.70	8.98	—	164.5	115.80	D11C8467
3067		622	194	27		57.15	212	55	4G310	18.17	16.87		15.66	14.50	13.39	12.43	11.50	—	182.3	118.38	D11C8468
2975		583	219	25		44.45	190	41	4G308	10.73	10.73		10.73	9.98	9.21	8.55	7.92	7.61	169.0	128.81	D11C8476
2975		583	219	25		44.45	190	41	4G309	14.77	13.71		12.73	11.79	10.88	10.10	9.35	8.99	189.4	140.64	D11C8477
3067		609	219	27		57.15	212	55	4G310	18.92	17.56		16.30	15.09	13.94	12.94	11.98	11.51	202.6	138.63	D11C8478
3115		624	219	30		57.15	232	55	4G313	28.38	26.35		24.46	22.64	20.91	19.41	17.97	17.27	251.7	142.64	D11C84710
2600		3082	633	950		159	25	44.45	174.5	41			4G307	6.21	6.21	6.21	6.21	6.21	6.21	—	—
	3107	642	159		25	44.45	190	41	4G309	13.28		12.33	11.44	10.59	9.78	9.08	—	—	140.1	89.56	D12C8457
	3107	642	194		25	44.45	190	41	4G308	10.11		10.11	10.11	9.58	8.85	8.21	7.60	—	150.8	109.28	D12C8466
	3107	624	194		25	44.45	190	41	4G309	14.19		13.17	12.23	11.32	10.45	9.70	8.98	—	172.2	121.60	D12C8467
	3199	650	194		27	57.15	212	55	4G310	18.17		16.87	15.66	14.50	13.39	12.43	11.50	—	176.6	124.63	D12C8468
	3107	612	219		25	44.45	190	41	4G308	10.11		10.11	10.11	9.98	9.21	8.55	7.92	7.61	177.0	137.74	D12C8476
	3107	612	219		25	44.45	190	41	4G309	14.77		13.71	12.73	11.79	10.88	10.10	9.35	8.99	198.4	147.82	D12C8477
	3199	638	219		27	57.15	212	55	4G310	18.92		7.56	16.30	15.09	13.94	12.94	11.98	11.51	211.7	145.43	D12C8478
	3247	638	219		30	57.15	232	55	4G313	28.38		26.35	24.45	22.64	20.91	19.41	17.97	17.27	263.0	149.97	D12C84710
	2800	3346	690		1050	159	25	44.45	174.5	41		35°	4G307	5.57	5.57	5.57	5.57	5.57	5.57	—	—
3371		699	159	25		44.45	190	41	4G309	13.28	12.33		11.44	10.59	9.78	9.08	—	—	152.8	98.48	D13C8457
3371		682	194	25		44.45	190	41	4G308	9.07	9.07		9.07	9.07	8.85	8.21	7.60	—	164.2	119.62	D13C8466
3371		682	194	25		44.45	190	41	4G309	14.19	13.17		12.23	11.32	10.45	9.70	8.98	—	187.5	133.20	D13C8467
3463		708	194	27		57.15	212	55	4G310	18.17	16.87		15.66	14.50	13.39	12.43	11.50	—	211.0	137.14	D13C8468

Belt Width	A	H1	L	D	m	T	t	k	á		Bearing	Laod Capacity KN						Weight KG	Weight Move Parts	Dwg Nr.		
												v=1.0	v=1.25	v=1.6	v=2.0	v=2.5	v=3.15				v=4.0	v=5.0
	3371	669		219	25	44.45	190	41			4G308	9.07	9.07	9.07	9.07	9.07	8.55	7.92	7.61	193.2	146.60	D13C8476
	3371	669		219	25	44.45	190	41			4G309	14.35	13.71	12.73	11.79	10.88	10.10	9.35	8.99	216.5	162.18	D13C8477
	3463	695		219	27	57.15	212	55			4G310	18.92	17.56	16.30	15.09	13.94	12.94	11.98	11.51	229.9	159.03	D13C8478
	3511	710		219	30	57.15	232	55			4G313	28.38	26.35	24.46	22.64	20.91	19.41	17.97	17.27	285.3	164.57	D13C84710
3000	3530	731	1120	159	25	44.45	174.5	41			4G307	5.20	5.20	5.20	5.20	5.20	5.20	—	—	131.3	95.17	D14C8455
	3556	739		159	25	44.45	190	41			4G309	13.28	12.33	11.44	10.59	9.78	9.08	—	—	162.7	105.81	D14C8457
	3556	722		194	25	44.45	190	41			4G308	8.45	8.45	8.45	8.45	8.45	8.21	7.60	—	175.3	128.63	D14C8466
	3556	722		194	25	44.45	190	41			4G309	13.38	13.17	12.23	11.32	10.45	9.70	8.98	—	200.0	143.04	D14C8467
	3647	748		194	27	57.15	212	55			4G310	18.17	16.87	15.66	14.50	13.39	12.43	11.50	—	222.0	147.90	D14C8468
	3556	709		219	25	44.45	190	41			4G308	8.45	8.45	8.45	8.45	8.45	8.45	7.92	7.61	207.0	160.37	D14C8476
	3556	709		219	25	44.45	190	41			4G309	13.38	13.38	12.73	11.79	10.88	10.10	9.35	8.99	231.7	174.78	D14C8477
	3647	735		219	27	57.15	212	55			4G310	18.63	17.56	16.30	15.09	13.94	12.94	11.98	11.51	244.6	170.49	D14C8478
	3696	750		219	30	57.15	232	55			4G313	28.38	26.35	24.46	22.64	20.91	19.41	17.97	17.27	303.3	176.99	D14C84710



Five Roller Garland Kit

Belt Width	A	H1	L	D	M	T	t	K	a1	a2	Bearing	Laod Capacity KN						Weight KG	Weight Move Parts	Dwg Nr.						
												v=1.0	v=1.25	v=1.6	v=2.0	v=2.5	v=3.15				v=4.0	v=5.0				
1000	1245	456	205	108	19	38.1	149.5	35			4G205	6.05	5.61	5.17	4.80	4.45	4.12	—	—	24.6	13.45	D4C8331				
	1371	489		108	25	44.45	157	35			4G206	8.36	7.76	7.14	6.63	6.15	5.70	—	—	28.9	14.95	D4C8332				
	1245	456		108	19	38.1	149.5	35			4G305	9.68	8.98	8.27	7.68	7.13	6.60	—	—	26.1	15.05	D4C8333				
	1371	489		133	25	44.45	157	35			4G306	12.15	11.28	10.39	9.65	8.95	8.29	—	—	41.7	24.40	D4C8334				
	1245	443		133	19	38.1	149.5	35			4G205	6.48	6.02	5.54	5.14	4.77	4.42	4.08	—	31.7	20.01	D4C8341				
	1371	476		133	25	44.45	157	35			4G206	8.96	8.32	7.66	7.11	6.60	6.11	5.64	—	38.1	22.70	D4C8342				
	1245	443		133	19	38.1	149.5	35			4G305	10.37	9.63	8.87	8.23	7.64	7.07	6.53	—	33.8	22.80	D4C8343				
	1371	476		133	25	44.45	157	35			4G306	13.03	12.09	11.14	10.34	9.60	8.88	8.20	—	43.2	27.10	D4C8344				
	1245	430		159	19	38.1	149.5	35			4G205	6.88	6.38	5.88	5.46	5.07	4.69	4.33	4.02	32.2	21.32	D4C8351				
	1371	463		159	25	44.45	157	35			4G206	9.51	8.82	8.13	7.55	7.00	6.48	5.99	5.56	42.9	27.52	D4C8352				
	1245	430		159	19	38.1	149.5	35			4G305	11.01	10.22	9.41	8.74	8.11	7.51	6.93	6.44	38.8	27.71	D4C8353				
	1371	463		159	25	44.45	157	35			4G306	13.82	12.83	11.82	10.97	10.18	9.43	8.71	8.08	46.1	29.98	D4C8354				
		1371		514		108	19	38.1			149.5	35			4G205	6.05	5.61	5.17	4.80	4.45	4.12	—	—	27.3	14.95	D5C8331
		1498		547		108	25	44.45			157	35			4G206	8.36	7.76	7.14	6.63	6.15	5.70	—	—	33.4	16.80	D5C8332

Belt Width	A	H1	L	D	M	T	t	K	á1	á2	Bearing	Laod Capacity KN						Weight KG	Weight Move Parts	Dwg Nr.		
												v=1.0	v=1.25	v=1.6	v=2.0	v=2.5	v=3.15				v=4.0	v=5.0
1200	1498	547	250	108	25	44.45	157	35	25°	35°	4G306	12.15	11.28	10.39	9.64	8.95	8.29	—	—	42.4	24.90	D5C8334
	1470	562		108	25	44.45	174.5	41			4G307	14.41	13.37	12.32	11.43	10.61	9.83	—	—	49.6	27.16	D5C8335
	1371	501		133	19	38.1	149.5	35			4G205	6.48	6.02	5.54	5.14	4.77	4.42	4.08	—	38.1	23.35	D5C8341
	1498	534		133	25	44.45	157	35			4G206	8.96	8.32	7.66	7.11	6.60	6.11	5.64	—	42.6	25.95	D5C8342
	1498	534		133	25	44.45	157	35			4G306	13.03	12.09	11.14	10.34	9.60	8.88	8.20	—	47.7	30.30	D5C8344
	1470	549		133	25	44.45	174.5	41			4G307	15.44	14.34	13.20	12.26	11.38	10.53	9.73	—	55.9	33.45	D5C8345
	1371	488		159	19	38.1	149.5	35			4G205	6.88	6.38	5.88	5.46	5.07	4.69	4.33	4.02	40.2	28.47	D5C8351
	1498	521		159	25	44.45	157	35			4G206	9.51	8.82	8.13	7.55	7.00	6.48	5.99	5.56	50.2	31.37	D5C8352
	1498	521		159	25	44.45	157	35			4G306	13.82	12.83	11.82	10.97	10.18	9.43	8.71	8.08	51.2	33.83	D5C8354
	1470	536		159	25	44.45	174.5	41			4G307	16.39	15.22	14.01	13.01	12.07	11.18	10.32	9.58	61.9	38.78	D5C8355
	1531	550		159	25	44.45	190	41			4G308	20.02	18.59	17.12	15.89	14.73	13.66	12.61	11.71	71.4	41.51	D5C8356
1400	1610	598	290	108	25	44.45	157	35	25°	35°	4G206	8.36	7.76	7.14	6.63	6.15	5.70	—	—	36.2	18.45	D6C8332
	1610	598		108	25	44.45	157	35			4G306	12.15	11.28	10.39	9.64	8.95	8.29	—	—	45.8	27.20	D6C8334
	1583	613		108	25	44.45	174.5	41			4G307	14.41	13.37	12.32	11.43	10.61	9.83	—	—	53.6	29.70	D6C8335
	1610	586		133	25	44.45	157	35			4G206	8.96	8.32	7.66	7.11	6.60	6.11	5.64	—	46.5	28.75	D6C8342
	1610	586		133	25	44.45	157	35			4G306	13.03	12.09	11.14	10.34	9.60	8.88	8.20	—	51.6	33.15	D6C8344
Belt Width	A	H1	L	D	M	T	t	K	á1	á2	Bearing	Laod Capacity KN						Weight KG	Weight Move Parts	Dwg Nr.		
												v=1.25	v=1.6	v=2.0	v=2.5	v=3.15	v=4.0	v=5.0	v=6.3			
1400	1583	601	290	133	25	44.45	174.5	41	25°	35°	4G307	14.34	13.20	12.26	11.38	10.53	9.73	—	—	59.7	35.80	D6C8345
	1643	614		133	25	44.45	190	41			4G308	17.51	16.13	14.97	13.90	12.87	11.88	—	—	70.5	38.40	D6C8346
	1643	614		133	25	44.45	190	41			4G309	20.69	19.05	17.69	16.42	15.20	14.04	—	—	84.1	46.30	D6C8347
	1610	573		159	25	44.45	157	35			4G206	8.82	8.13	7.55	7.00	6.48	5.99	5.56	—	52.5	34.77	D6C8352
	1610	573		159	25	44.45	157	35			4G306	12.83	11.82	10.97	10.18	9.43	8.71	8.08	—	55.7	37.28	D6C8354
	1583	588		159	25	44.45	174.5	41			4G307	15.22	14.01	13.01	12.07	11.18	10.32	9.58	—	67.2	42.63	D6C8355
	1643	601		159	25	44.45	190	41			4G308	18.59	17.12	15.89	14.73	13.66	12.61	11.71	—	77.2	45.31	D6C8356
	1643	601		159	25	44.45	190	41			4G309	21.95	20.22	18.77	17.42	16.13	14.90	13.83	—	92.0	54.21	D6C8357
	1777	648		159	27	57.15	212	35			4G310	28.11	25.89	24.04	22.31	20.66	19.08	17.71	—	110.9	59.90	D6C8358
		1751		650		133	25	44.45			157	35			4G206	8.32	7.66	7.11	6.60	6.11	5.64	—
	1751	650		133	25	44.45	157	35	25°	35°	4G306	12.09	11.14	10.34	9.60	8.88	8.20	—	—	56.2	36.70	D7C8344
	1784	679		133	25	44.45	190	41			4G308	17.51	16.13	14.97	13.90	12.87	11.88	—	—	76.8	42.30	D7C8346
	1751	637		159	25	44.45	157	35			4G206	8.82	8.13	7.55	7.00	6.48	5.99	5.56	—	58.2	39.07	D7C8352

Belt Width	A	H1	L	D	M	T	t	K	á1	á2	Bearing	Laod Capacity KN						Weight KG	Weight Move Parts	Dwg Nr.		
												v=1.0	v=1.25	v=1.6	v=2.0	v=2.5	v=3.15				v=4.0	v=5.0
1600	1751	637	340	159	25	44.45	157	35	25°	35°	4G306	12.83	11.82	10.97	10.18	9.43	8.71	8.08	—	61.4	41.58	D7C8354
	1784	666		159	25	44.45	190	41			4G308	18.59	17.12	15.89	4.73	13.66	12.61	11.71	—	84.4	50.06	D7C8356
	1784	666		159	25	44.45	190	41			4G309	21.95	20.22	18.77	17.42	16.13	14.90	13.83	—	101.1	60.16	D7C8357
	1917	712		159	27	57.45	212	55			4G310	28.11	25.89	24.04	22.31	20.66	19.08	17.71	—	120.8	65.85	D7C8358
	1751	620		194	25	44.45	157	35			4G306	13.71	12.63	11.72	10.88	10.08	9.30	8.64	8.00	78.3	58.40	D7C8364
	1784	648		194	25	44.45	190	41			4G308	19.86	18.29	16.98	15.76	14.59	13.47	12.51	11.58	104.8	70.25	D7C8366
	1784	648		194	25	44.45	190	41			4G309	23.46	21.61	20.06	18.62	17.24	15.92	14.78	13.68	113.7	72.80	D7C8367
	1917	695		194	27	57.15	212	55			4G310	30.04	25.68	25.68	23.84	22.07	20.38	18.92	17.52	133.2	74.35	D7C8368
1800	1863	702	380	133	25	44.45	157	35	25°	35°	4G306	12.09	11.14	10.34	9.60	8.88	8.20	—	—	44.3	23.30	D8C8344
	1896	730		133	25	44.45	190	41			4G308	17.51	16.13	14.97	13.90	12.87	11.88	—	—	82.0	45.50	D8C8346
	1863	704		159	25	44.45	174.5	41			4G307	15.22	14.01	13.01	12.07	11.18	10.32	9.58	—	79.1	51.13	D8C8355
	1896	717		159	25	44.45	190	41			4G308	18.59	17.12	15.89	14.73	13.66	12.61	11.71	—	90.2	53.86	D8C8356
	1896	717		159	25	44.45	190	41			4G309	21.95	20.22	18.77	17.42	16.13	14.90	13.83	—	108.4	64.91	D8C8357
	2030	764		159	27	57.15	212	55			4G310	28.11	25.89	24.04	22.31	20.66	19.08	17.71	—	128.6	70.60	D8C8358
	1896	700		194	25	44.45	190	41			4G308	19.86	18.29	16.98	15.76	14.59	13.47	12.51	11.58	112.6	76.10	D8C8366
	1896	700		194	25	44.45	190	41			4G309	23.46	21.61	20.06	18.62	17.24	15.92	14.78	13.68	122.1	78.65	D8C8367
	2030	746		194	27	57.15	212	55			4G310	30.04	27.56	25.68	23.84	22.07	20.38	18.92	17.52	142.1	80.20	D8C8368
	2098	758		194	28	57.15	223	55			4G312	39.79	36.65	34.02	31.58	29.24	27.00	25.06	23.20	173.5	91.40	D8C8369
2000	1948	768	420	133	25	44.45	174.5	41	25°	35°	4G307	14.34	13.20	12.26	11.68	10.53	9.73	—	—	74.5	46.10	D9C8345
	2009	782		133	25	44.45	190	41			4G308	17.51	16.13	14.97	13.90	12.87	11.88	—	—	87.1	48.65	D9C8346
	1948	755		159	25	44.45	174.5	41			4G307	15.22	14.01	13.01	12.07	11.18	10.32	9.58	—	84.4	54.93	D9C8355
	2009	769		159	25	44.45	190	41			4G308	18.59	17.12	15.89	14.73	13.66	12.61	11.71	—	95.9	66.14	D9C8356
	2009	769		159	25	44.45	190	41			4G309	21.95	20.22	18.77	17.42	16.13	14.90	13.83	—	115.6	69.66	D9C8357
	2142	815		159	27	57.15	212	55			4G310	28.11	25.89	24.04	22.31	20.66	19.08	17.71	—	136.4	75.30	D9C8358
	2009	751		194	25	44.45	190	41			4G308	19.86	18.29	16.98	15.76	14.59	13.47	12.51	11.58	120.1	81.90	D9C8366
	2009	751		194	25	44.45	190	41			4G309	23.46	21.61	20.06	18.62	17.24	15.92	14.78	13.68	130.4	84.50	D9C8367
	2142	798		194	27	57.15	212	55			4G310	30.04	27.67	25.68	23.84	22.07	20.38	18.92	17.52	151.0	86.05	D9C8368
	2211	810		194	28	57.15	223	35			4G312	39.79	36.65	34.02	31.58	29.24	27.00	25.06	23.20	183.7	97.20	D9C8369
2061	820	133	25	44.45	174.5	41	25°	35°	4G307	14.34	13.20	12.26	11.38	10.53	9.73	—	—	79.5	49.20	D10C8345		
	833	133	25	44.45	190	41			4G308	17.51	16.13	14.97	13.90	12.87	11.88	—	—	92.3	51.80	D10C8346		
	807	159	25	44.45	174.5	41			4G307	15.22	14.01	13.01	12.07	11.18	10.32	9.58	—	89.7	58.73	D10C8355		

Belt Width	A	H1	L	D	M	T	t	K	á1	á2	Bearing	Laod Capacity KN						Weight KG	Weight Move Parts	Dwg Nr.		
												v=1.0	v=1.25	v=1.6	v=2.0	v=2.5	v=3.15				v=4.0	v=5.0
2200	2121	820	460	159	25	44.45	190	41	25	35	4G308	18.59	17.12	15.89	14.73	13.66	12.61	11.71	—	101.7	61.46	D10C8356
	2121	820		159	25	44.45	190	41			4G309	21.95	20.22	18.77	17.42	16.13	14.90	13.83	—	122.8	74.41	D10C8357
	2255	867		159	27	57.15	212	55			4G310	28.11	25.89	24.04	22.31	20.66	19.08	17.71	—	144.2	80.05	D10C8358
	2121	803		194	25	44.45	190	41			4G308	19.86	18.29	16.98	15.76	14.59	13.47	12.51	11.58	128.2	87.75	D10C8366
	2121	803		194	25	44.45	190	41			4G309	23.46	21.61	20.06	18.62	17.24	15.92	14.78	13.68	138.7	90.30	D10C8367
	2255	849		194	27	57.15	212	55			4G310	30.04	27.67	25.68	23.84	22.07	20.38	18.92	17.52	159.9	91.85	D10C8368
	2323	864		194	28	57.15	223	55			4G312	39.79	36.65	34.02	31.58	29.24	27.00	25.06	23.20	194.0	103.1	D10C8369
2400	2173	859	500	159	25	44.45	174.5	41	25	35	4G307	15.22	14.01	13.01	12.07	11.18	10.32	9.58	—	95.0	62.53	D11C8355
	2234	872		159	25	44.45	190	41			4G308	18.59	17.12	15.89	14.73	13.66	12.61	11.71	—	107.5	65.26	D11C8356
	2234	872		159	25	44.45	190	41			4G309	21.95	20.22	18.77	17.42	16.13	14.90	13.83	—	130.1	79.16	D11C8357
	2367	918		159	27	57.15	212	55			4G310	28.11	25.89	24.04	22.31	20.66	19.08	17.71	—	152.0	84.80	D11C8358
	2234	854		194	25	44.45	190	41			4G308	19.86	18.29	16.89	15.76	14.59	13.47	12.51	11.58	136.0	93.60	D11C8366
	2234	854		194	25	44.45	190	41			4G309	23.46	21.61	20.06	18.62	17.24	15.92	14.78	13.68	147.0	96.15	D11C8367
Belt Width	A	H1	L	D	M	T	t	K	á1	á2	Bearing	Load Capacity KN						Weight KG	Weight Move Parts	Dwg Nr.		
												v=1.6	v=2.0	v=2.5	v=3.15	v=4.0	v=5.0	v=6.3	v=7.1			
2400	2367	901	500	194	27	57.15	212	55	25	35	4G310	27.67	25.68	23.84	22.07	20.38	18.92	17.52	—	168.8	97.70	D11C8368
	2436	913		194	28	57.15	223	55			4G312	36.65	34.02	31.58	29.24	27.00	25.06	23.20	—	204.3	108.90	D11C8369
	2500	926		194	30	57.15	232	55			4G313	41.50	38.53	35.77	33.12	30.58	28.39	26.28	—	227.9	110.90	D11C83610
	2234	842		219	25	44.45	190	41			4G308	19.05	17.68	16.41	15.20	14.03	13.02	12.06	11.69	148.5	106.3	D11C83676
	2234	842		219	35	44.45	190	41			4G309	22.50	20.89	19.39	17.95	16.57	15.39	14.25	13.69	159.5	108.4	D11C83677
	2367	888		219	27	57.15	212	55			4G310	28.81	26.74	24.83	22.99	21.22	19.70	18.24	17.53	182.8	115.6	D11C83678
	2436	901		219	28	57.15	223	55			4G312	38.16	35.42	32.88	30.44	28.11	26.10	24.16	23.22	220.8	122.60	D11C83679
	2500	914		219	30	57.15	232	55			4G313	43.22	40.12	37.24	34.48	31.84	29.56	27.37	26.30	244.2	126.5	D11C83710
2600	2286	910	540	159	25	44.45	174.5	41	25	35	4G307	14.01	13.01	12.07	11.18	10.32	9.58	—	—	96.1	63.30	D12C8355
	2346	923		159	25	44.45	190	41			4G308	17.12	15.89	14.73	13.66	12.61	11.71	—	—	108.6	66.02	D12C8356
	2346	923		159	25	44.45	190	41			4G309	20.22	18.77	17.42	16.13	14.90	13.83	—	—	131.5	80.12	D12C8357
	2480	970		159	27	57.15	212	55			4G310	25.89	24.04	22.31	20.66	19.08	17.71	—	—	153.6	85.75	D12C8358
	2346	906		194	25	44.45	190	41			4G308	18.29	16.98	15.76	14.59	13.47	12.51	11.58	—	143.8	99.43	D12C8366
	2346	906		194	25	44.45	190	41			4G309	21.61	20.06	18.62	17.24	15.92	14.78	13.68	—	155.3	102	D12C8367
	2480	953		194	27	57.15	212	55			4G310	27.67	25.68	23.84	22.07	20.38	18.92	17.52	—	177.7	103.5	D12C8368
	2548	965		194	28	57.15	223	55			4G312	36.65	34.02	31.58	29.24	27.00	25.06	23.20	—	214.6	114.7	D12C8369

Belt Width	A	H1	L	D	M	T	t	K	á1	á2	Bearing	Laod Capacity KN						Weight KG	Weight Move Parts	Dwg Nr.		
												v=1.0	v=1.25	v=1.6	v=2.0	v=2.5	v=3.15				v=4.0	v=5.0
	2613	978		194	30	57.15	232	55	25°	35°	4G313	41.50	38.53	35.77	33.12	30.58	28.39	26.28	—	239.0	116.7	D12C83610
	2346	893		219	25	44.45	190	41			4G308	19.05	17.68	16.41	15.20	14.03	13.02	12.06	11.59	150.2	107.7	D12C8376
	2346	893		219	25	44.45	190	41			4G309	22.50	20.89	19.39	17.95	16.57	15.39	14.25	13.69	161.3	109.7	D12C8377
	2480	940		219	27	57.15	212	55			4G310	28.81	26.74	24.83	22.99	21.22	19.70	18.24	17.53	184.7	116.9	D12C8378
	2548	952		219	28	57.15	223	55			4G312	38.16	35.42	32.88	30.44	28.11	26.10	24.16	23.22	223.0	123.9	D12C8379
	2613	965		219	30	57.15	232	55			4G313	43.22	40.12	37.24	34.48	31.84	29.56	27.37	26.30	246.6	127.9	D12C83710
2800	2459	975	580	159	25	44.45	190	41	25°	35°	4G308	17.12	15.89	14.73	13.66	12.61	11.71	—	—	109.8	66.78	D13C8356
	2592	###		159	27	57.15	212	55			4G310	25.89	24.04	22.31	20.66	19.08	17.71	—	—	155.2	86.70	D13C8358
	2459	958		194	25	44.45	190	41			4G308	18.29	16.98	15.76	14.59	13.47	12.51	11.58	—	151.6	105.3	D13C8366
	2592	###		194	27	57.15	212	55			4G310	27.67	25.68	28.34	22.07	20.38	18.92	17.52	—	186.7	109.4	D13C8368
	2661	###		194	28	57.15	223	55			4G312	36.65	34.02	31.58	29.24	27.00	25.06	23.20	—	224.8	120.6	D13C8369
	2725	###		194	30	57.15	232	55			4G313	41.50	38.53	35.77	33.12	30.58	28.39	26.28	—	250.0	122.6	D13C83610
	2459	945		219	25	44.45	190	41			4G308	19.05	17.68	16.41	15.20	14.03	13.02	12.06	11.59	151.9	109	D13C8376
	2592	992		219	27	57.15	212	55			4G310	28.81	26.74	24.83	22.99	21.22	19.70	18.24	17.53	186.7	118.3	D13C8378
	2661	###		219	28	57.15	223	55			4G312	38.16	35.42	32.88	30.44	28.11	26.10	24.16	23.22	225.2	125.2	D13C8379
	2725	###		219	30	57.15	232	55			4G313	43.22	40.12	37.24	34.48	31.84	29.56	27.37	26.30	248.9	129.2	D13C83710
3000	2627	###	640	159	25	44.45	190	41	25°	35°	4G308	17.12	15.89	14.73	13.66	12.61	11.71	—	—	111.5	67.92	D14C8356
	2761	###		159	27	57.15	212	55			4G310	25.89	24.04	22.31	20.66	19.08	17.71	—	—	156.9	87.84	D14C8358
	2627	###		194	25	44.45	190	41			4G308	18.29	16.98	15.76	14.59	13.47	12.51	11.58	—	163.3	114	D14C8366
	2761	###		194	27	57.15	212	55			4G310	27.67	25.68	23.84	22.07	20.38	18.92	17.52	—	200.0	118.1	D14C8368
	2830	###		194	28	57.15	223	55			4G312	36.65	34.02	31.58	29.24	27.00	25.06	23.20	—	240.2	129.3	D14C8369
	2894	###		194	30	57.15	232	55			4G313	41.50	38.53	35.77	33.12	30.58	28.39	26.28	—	266.6	131.3	D14C83610
	2627	###		219	25	44.45	190	41			4G308	19.05	17.68	16.41	15.20	14.03	13.02	12.06	11.59	154.5	111	D14C8376
	2761	###		219	27	57.15	212	55			4G310	28.81	26.74	24.83	22.99	21.22	19.70	18.24	17.53	189.6	120.2	D14C8378
	2830	###		219	28	57.15	223	55			4G312	38.16	35.42	32.88	30.44	28.11	26.10	24.16	23.22	228.5	127.2	D14C8379
	2894	###		219	30	57.15	232	55			4G313	43.22	40.12	37.24	34.48	31.84	29.56	27.37	26.30	252.5	131.2	D14C83710

)
)
)
)
)
)

)

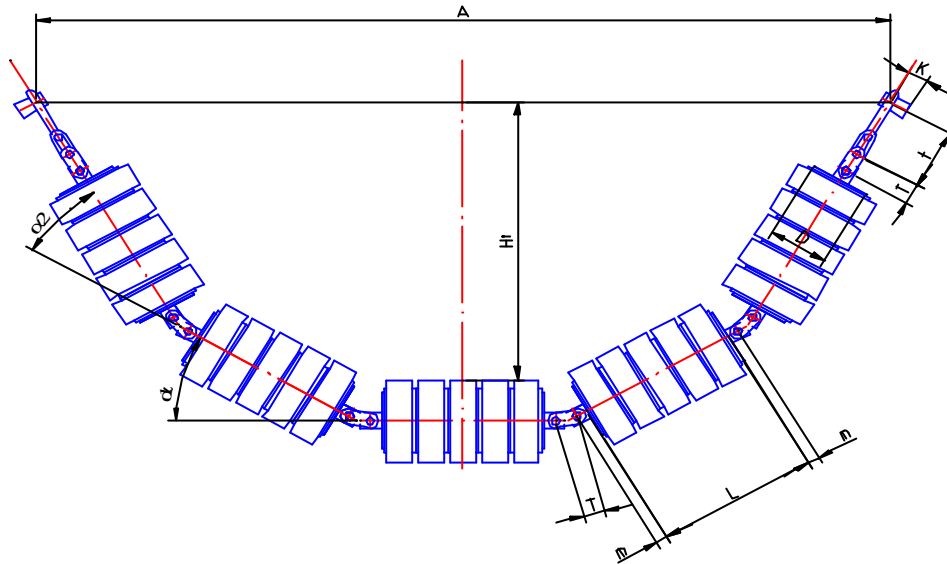
)

)

)

)

)



Five Roller Impact Garland Kit

Belt Width	A	H1	L	D	M	T	t	K	α1	α2	Bearing	Load Capacity KN						Weight KG	Weight Move Parts	Dwg Nr.		
												v=1.0	v=1.25	v=1.6	v=2.0	v=2.5	v=3.15				v=4.0	v=5.0
1000	1245	456	205	108	19	38.1	149.5	35	25°	35°	4G205	6.05	5.61	5.17	4.80	4.45	4.12	—	—	34.1	23.21	D4C8631
	1371	489		108	25	44.45	157	35			4G206	8.36	7.76	7.14	6.63	6.15	5.70	—	—	39.9	24.52	D4C8632
	1245	443		133	19	38.1	149.5	35			4G205	6.48	6.02	5.54	5.14	4.77	4.42	4.08	—	29.5	12.36	D4C8641
	1371	476		133	25	44.45	157	35			4G206	8.96	8.32	7.66	7.11	6.60	6.11	5.64	—	36.3	20.92	D4C8642
	1245	443		133	19	38.1	149.5	35			4G305	10.37	9.63	8.87	8.23	7.64	7.07	6.53	—	32.3	21.11	D4C8643
	1371	476		133	25	44.45	157	35			4G307	15.44	14.34	13.20	12.26	11.38	10.53	9.73	—	45.4	24.02	D4C8645
	1245	430		159	19	38.1	149.5	35			4G205	6.88	6.38	5.88	5.46	5.07	4.69	4.33	4.02	39.2	28.30	D4C8651
	1371	463		159	25	44.45	157	35			4G206	9.51	8.82	8.13	7.55	7.00	6.48	5.99	5.56	46.0	30.62	D4C8652
	1245	430		159	19	38.1	149.5	35			4G305	11.01	10.22	9.41	8.74	8.11	7.51	6.93	6.44	42.0	30.81	D4C8653
	1371	463		159	25	44.45	157	35			4G306	13.82	12.83	11.82	10.97	10.18	9.43	8.71	8.08	56.7	39.40	D4C8654
1200	1371	514	250	108	19	38.1	149.5	35	25°	35°	4G205	6.05	5.61	5.17	4.80	4.45	4.12	—	—	38.3	26.57	D5C8631
	1498	547		108	25	44.45	157	35			4G206	8.36	7.76	7.14	6.63	6.15	5.70	—	—	45.9	29.36	D5C8632
	1371	501		133	19	38.1	149.5	35			4G205	6.48	6.02	5.54	5.14	4.77	4.42	4.08	—	34.4	22.65	D5C8641
	1498	534		133	25	44.45	157	35			4G206	8.96	8.32	7.66	7.11	6.60	6.11	5.64	—	41.6	24.97	D5C8642
	1470	549		133	25	44.45	174.5	41			4G307	15.44	14.34	13.20	12.26	11.38	10.53	9.73	—	52.7	29.60	D5C8645
	1371	488		159	19	38.1	149.5	35			4G205	6.88	6.38	5.88	5.46	5.07	4.69	4.33	4.02	41.5	29.75	D5C8651

Belt Width	A	H1	L	D	M	T	t	K	á1	á2	Bearing	Load Capacity KN						Weight KG	Weight Move Parts	Dwg Nr.		
												v=1.0	v=1.25	v=1.6	v=2.0	v=2.5	v=3.15				v=4.0	v=5.0
	1498	521		159	25	44.45	157	35			4G206	9.51	8.82	8.13	7.55	7.00	6.48	5.99	5.56	48.7	32.07	D5C8652
	1498	521		159	25	44.45	157	35			4G306	13.82	12.83	11.82	10.97	10.18	9.43	8.71	8.08	57.4	39.90	D5C8654
	1470	536		159	25	44.45	174.5	41			4G307	16.39	15.22	14.01	13.01	12.07	11.18	10.32	9.58	64.6	42.16	D5C8655
	1531	550		159	25	44.45	190	41			4G309	23.65	21.95	20.22	18.77	17.42	16.13	14.90	13.83	78.0	42.87	D5C8657
1400	1484	565	290	108	19	38.1	149.5	35			4G205	6.05	5.61	5.17	4.80	4.45	4.12	—	—	34.3	21.74	D6C8631
	1610	598		108	25	44.45	157	35			4G206	8.36	7.76	7.14	6.63	6.15	5.70	—	—	51.6	33.88	D6C8632
	1610	586		133	25	44.45	157	35			4G206	8.96	8.32	7.66	7.11	6.60	6.11	5.64	—	45.3	27.54	D6C8642
	1583	601		133	25	44.45	174.5	41			4G307	15.44	14.34	13.20	12.26	11.38	10.53	9.73	—	58.1	33.53	D6C8645
	1610	573		159	25	44.45	157	35			4G206	9.51	8.82	8.13	7.55	7.00	6.48	5.99	5.56	54.6	36.84	D6C8652
	1583	588		159	25	44.45	174.5	41			4G307	16.39	15.22	14.01	13.01	12.07	11.18	10.32	9.58	71.6	47.70	D6C8655
	1643	601		159	25	44.45	190	41			4G309	23.65	21.95	20.22	18.77	17.42	16.13	14.90	13.83	87.0	49.40	D6C8657
1600	1751	650	340	133	25	44.45	157	35			4G206	8.96	8.32	7.66	7.11	6.60	6.11	5.64	—	49.6	30.46	D7C8642
	1723	665		133	25	44.45	174.5	41			4G307	15.44	14.34	13.20	12.26	11.38	10.53	9.73	—	64.6	38.14	D7C8645
	1751	637		159	25	44.45	157	35			4G206	9.51	8.82	8.13	7.55	7.00	6.48	5.99	5.56	61.6	41.96	D7C8652
Belt Width	A	H1	L	D	M	T	t	K	á1	á2	Bearing	Load Capacity KN						Weight KG	Weight Move Parts	Dwg Nr.		
												v=1.25	v=1.6	v=2.0	v=2.5	v=3.15	v=4.0	v=5.0	v=6.3			
1600	1723	652	340	159	25	44.45	174.5	41			4G307	15.22	14.01	13.01	12.07	11.18	10.32	9.58	—	79.7	53.88	D7C8655
	1784	666		159	25	44.45	190	41			4G309	21.95	20.22	18.77	17.42	16.13	14.90	13.83	—	97.6	56.83	D7C8657
	1751	620		194	25	44.45	157	35			4G306	13.71	12.63	11.72	10.88	10.08	9.30	8.64	8.00	91.8	71.72	D7C8664
	1784	648		194	25	44.45	190	41			4G308	19.86	18.29	16.98	15.76	14.59	13.47	12.51	11.58	110.1	75.55	D7C8666
	1784	648		194	25	44.45	190	41			4G309	23.46	21.61	20.06	18.62	17.24	15.92	14.78	13.68	125.4	84.47	D7C8667
	1917	695		194	27	57.15	212	55			4G310	30.04	27.67	25.68	23.84	22.07	20.38	18.92	17.52	134.2	79.31	D7C8668
	1800	1863		702	380	133	25	44.45			157	35	25°	35°	4G206	8.23	7.66	7.11	6.60	6.11	5.64	—
1836		717	133	25		44.45	174.5	41	4G307	14.34	13.20	12.26			11.38	10.53	9.73	—	—	70.1	42.07	D8C8645
1836		704	159	25		44.45	174.5	41	4G307	15.22	14.01	13.01			12.07	11.18	10.32	9.58	—	82.7	59.42	D8C8655
1896		717	159	25		44.45	190	41	4G309	21.95	20.22	18.77			17.42	16.13	14.90	13.83	—	106.6	63.37	D8C8657
1896		700	194	25		44.45	190	41	4G308	19.86	18.29	16.98			15.76	14.59	13.47	12.51	11.58	120.0	83.5	D8C8666
1896		700	194	25		44.45	190	41	4G309	23.46	21.61	20.06			18.62	17.24	15.92	14.78	13.68	136.5	93.16	D8C8667
2030		746	194	27		57.15	212	55	4G310	30.04	27.67	25.68			23.84	22.07	20.38	18.92	17.52	146.7	88.77	D8C8668
		1948	768			133	25	44.45	174.5	41					4G307	14.34	13.20	12.26	11.38	10.53	9.73	—
	1948	755	159		25	44.45	174.5	41	4G307	15.22			14.01	13.01	12.07	11.18	10.32	9.58	—	93.8	64.96	D9C8655

Belt Width	A	H1	L	D	M	T	t	K	á1	á2	Bearing	Load Capacity KN						Weight KG	Weight Move Parts	Dwg Nr.		
												v=1.0	v=1.25	v=1.6	v=2.0	v=2.5	v=3.15				v=4.0	v=5.0
2000	2009	769	420	159	25	44.45	190	41			4G309	21.95	20.22	18.77	17.42	16.13	14.90	13.83	—	115.7	69.61	D9C8657
	2009	751		194	25	44.45	190	41			4G308	19.86	18.29	16.98	15.76	14.59	13.47	12.51	11.58	129.9	91.40	D9C8666
	2009	751		194	25	44.45	190	41			4G309	23.46	21.61	20.06	18.62	17.24	15.92	14.78	13.68	147.7	171.05	D9C8667
	2142	798		194	27	57.15	212	55			4G310	30.04	27.67	25.68	23.84	22.07	20.38	18.92	17.52	159.2	98.22	D9C8668
Belt Width	A	H1	L	D	M	T	t	K	á1	á2	Bearing	Load Capacity KN						Weight KG	Weight Move Parts	Dwg Nr.		
												v=1.6	v=2.0	v=2.5	v=3.15	v=4.0	v=5.0				v=6.3	v=7.1
2200	2061	820	460	133	25	44.45	174.5	41	25°	35°	4G307	13.20	12.26	11.38	10.53	9.73	—	—	—	82.3	51.27	D10C8645
	2061	807		159	25	44.45	174.5	41			4G307	14.01	13.01	12.07	11.18	10.32	9.58	—	—	100.8	70.50	D10C8655
	2121	820		159	25	44.45	190	41			4G309	20.22	18.77	17.42	16.13	14.90	13.83	—	—	124.7	76.45	D10C8657
	2121	803		194	25	44.45	190	41			4G308	18.29	16.98	15.76	14.59	13.47	12.51	11.58	—	139.8	99.30	D10C8666
	2121	803		194	25	44.45	190	41			4G309	21.61	20.06	18.62	17.24	15.92	14.78	13.68	—	158.9	110.53	D10C8667
	2255	849		194	27	57.15	212	55			4G310	27.67	25.68	23.84	22.07	20.38	18.92	17.52	—	171.8	107.67	D10C8668
2400	2173	859	500	159	25	44.45	174.5	41	25°	35°	4G307	14.01	13.01	12.07	11.18	10.32	9.58	—	—	104.9	73.04	D11C8655
	2234	872		159	25	44.45	190	41			4G309	20.22	18.77	17.42	16.13	14.90	13.83	—	—	130.7	80.00	D11C8657
	2234	854		194	25	44.45	190	41			4G308	18.29	16.98	15.76	14.59	13.47	12.51	11.58	—	144.9	102.46	D11C8666
	2234	854		194	25	44.45	190	41			4G309	21.61	20.06	18.62	17.24	15.92	14.78	13.68	—	165.3	114.47	D11C8667
	2367	901		194	27	57.15	212	55			4G310	27.67	25.68	23.84	22.07	20.38	18.92	17.52	—	178.8	111.57	D11C8668
	2234	842		219	25	44.45	190	41			4G308	19.05	17.68	16.41	15.20	14.03	13.02	12.06	11.59	167.9	125.46	D11C8676
	2234	842		219	25	44.45	190	41			4G309	22.50	20.89	19.39	17.59	16.57	15.39	14.25	13.69	188.3	137.47	D11C8677
	2367	888		219	27	57.15	212	55			4G310	28.81	26.74	24.83	22.99	21.22	19.70	18.24	17.53	206.0	138.80	D11C8678
	2500	914		219	30	57.15	232	55			4G313	43.22	40.12	37.24	34.48	31.84	29.56	27.37	26.30	244.7	136.70	D11C86710
2600	2286	910	540	159	25	44.45	190	41			4G307	14.01	13.01	12.07	11.18	10.32	9.58	—	—	111.9	78.58	D12C8655
	2346	923		159	25	44.45	190	41			4G309	20.22	18.77	17.42	16.13	14.90	13.83	—	—	139.8	86.54	D12C8657
	2346	906		194	25	44.45	190	41			4G308	18.29	16.98	15.76	14.59	13.47	12.51	11.58	—	154.8	110.37	D12C8666
	2346	906		194	25	44.45	190	41			4G309	21.61	20.06	18.62	17.24	15.92	14.78	13.68	—	176.5	123.16	D12C8667
	2480	953		194	27	57.15	212	55			4G310	27.67	25.68	23.84	22.07	20.38	18.92	17.52	—	191.3	121.02	D12C8668
	2346	893		219	25	44.45	190	41			4G308	19.05	17.68	16.41	15.20	14.03	13.02	12.06	11.59	180.1	135.67	D12C8676
	2346	893		219	25	44.45	190	41			4G309	22.50	20.89	19.39	17.95	16.57	15.39	14.25	13.69	201.8	148.46	D12C8677
	2480	940		219	27	57.15	212	55			4G310	28.81	26.74	24.83	22.99	21.22	19.70	18.24	17.53	213.0	145.15	D12C8678
	2613	965		219	30	57.15	232	55			4G313	43.22	40.12	37.24	34.48	31.84	29.56	27.37	26.30	260.8	147.65	D12C86710
	2398	962		159	25	44.45	174.5	41			4G307	14.01	13.01	12.07	11.18	10.32	9.58	—	—	119.0	84.12	D13C8655

Belt Width	A	H1	L	D	M	T	t	K	á1	á2	Bearing	Load Capacity KN						Weight KG	Weight Move Parts	Dwg Nr.				
												v=1.0	v=1.25	v=1.6	v=2.0	v=2.5	v=3.15				v=4.0	v=5.0		
2800	2459	975	580	159	25	44.45	190	41	25°	35°	4G309	20.22	18.77	17.42	16.13	14.90	13.83	—	—	148.8	93.08	D13C8657		
	2459	958		194	25	44.45	190	41			4G308	18.29	16.98	15.76	14.59	13.47	12.51	11.58	—	—	164.6	118.27	D13C8666	
	2459	958		194	25	44.45	190	41			4G309	21.61	20.06	18.62	17.24	15.92	14.78	13.68	—	—	187.7	131.85	D13C8667	
	2592	1004		194	27	57.15	223	55			4G310	27.67	25.68	23.84	22.07	20.38	18.92	17.52	—	—	203.8	130.48	D13C8668	
	2459	945		219	25	44.45	190	41			4G308	19.05	17.68	16.41	15.20	14.03	13.02	12.06	11.59	—	—	192.2	145.87	D13C8676
	2459	945		219	25	44.45	190	41			4G309	22.50	20.89	19.39	17.95	16.57	15.39	14.25	13.69	—	—	215.3	159.45	D13C8677
	2592	992		219	27	57.15	212	55			4G310	28.81	26.74	24.83	22.99	21.22	19.70	18.24	17.53	—	—	220.0	151.50	D13C8678
	2725	1017		219	30	57.15	232	55			4G313	43.22	40.12	37.24	34.48	31.84	29.56	27.37	26.30	—	—	277.0	158.60	D13C86710
3000	2567	1039	640	159	25	44.45	174.5	41	25°	35°	4G307	14.01	13.01	12.07	11.18	10.32	9.58	—	—	128.1	90.93	D14C8655		
	2627	1052		159	25	44.45	190	41			4G309	20.22	18.77	17.42	16.13	14.90	13.83	—	—	160.9	101.93	D14C8657		
	2627	1035		194	25	44.45	190	41			4G308	18.29	16.98	15.76	14.59	13.47	12.51	11.58	—	—	177.1	127.75	D14C8666	
	2627	1035		194	25	44.45	190	41			4G309	21.61	20.06	18.62	17.24	15.92	14.78	13.68	—	—	202.1	142.50	D14C8667	
	2761	1081		194	27	57.15	212	55			4G310	27.67	25.68	23.84	22.07	20.38	18.92	17.52	—	—	219.9	141.88	D14C8668	
	2627	1022		219	25	44.45	190	41			4G308	19.05	17.68	16.41	15.20	14.03	13.02	12.06	11.59	—	—	207.0	157.65	D14C8676
	2627	1022		219	25	44.45	190	41			4G308	22.05	20.89	19.39	17.95	16.57	15.39	14.25	13.69	—	—	232.0	172.40	D14C8677
	2761	1069		219	27	57.15	212	55			4G310	28.81	26.74	24.83	22.99	21.22	19.70	18.24	17.53	—	—	227.1	158.04	D14C8678
	2894	1094		219	30	57.15	232	55			4G313	43.22	40.12	37.24	34.48	31.84	29.56	27.37	26.30	—	—	298.2	172.03	D14C86710



唐山市北华机电工程有限公司

地址：河北唐山建设北路 39 号

TangShan BeiHua Electro-Mechanical Engineering Co., Ltd.

Add: No. 39, Jianshebei Road, TangShan-063000, HeBei, P. R. China

Tel: +86 315 2095835

Fax: +86 315 2039807

[Http://www.beihua.com.cn](http://www.beihua.com.cn)

Email: info@beihua.com.cn