

Model **SHT** Adjustable Spring Impact Idler Kit

China Patent code : [ZL94247277.2](#)



About the idler

As though impact idler takes small amount of the cost of the whole conveyor system, it plays an important role to the protection of conveyor belts.

Under conditions of large flow, high clearance, especially with bulk material of large irregular size and heavy mass, conveyor belt is usually hammered and ripped badly before its rated life shortly after the impact idlers lose function or go ineffective. In such case, impact idlers become the components of constant maintenance.

Our patented adjustable spring impact idler kit has overcome the above shortcomings.

Structure

We have considered the purpose of protection to conveyor belt, as well as reliability, durability and universality of the idler as we design and experiment it.

The idler is composed of three rollers and a movable, detachable bracket, which is composed of bottom beam and movable tripod support at the two ends of the beam.

The idler absorbs impact by compression of its springs. The more the springs are pressed the stronger the strength of spring becomes. Hence, the idler becomes more effective as the impact force increases.

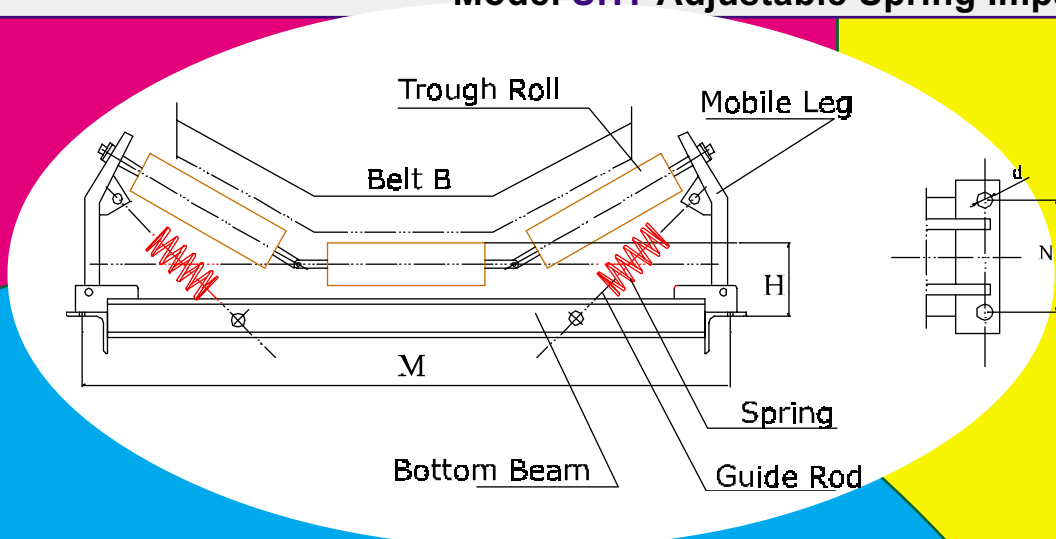
Movable tripod support dissolves the force upon rollers. Which makes the idler lasts longer.



Bottom Beam

Bottom beam is welded twin channel steel structure, which gives the idler good strength, flexibility and stability even on belt conveyors with enormous heavy impact. The tray fitted on bottom beam is of cast steel (#35-chinese code of standard) which supports spring and limits lower stop point of central roller.

Model SHT Adjustable Spring Impact Idler



Mobile tripod support

The mobile tripod support consists of mobile leg, compression spring and guide rod assembly. Which connects with Bottom beam.

The mobile leg is of channel steel structure, which has good flexibility.

Compression spring is made of 60si2Mn (Chinese code of standard). There are three sizes of spring to choose from for each size of idler.

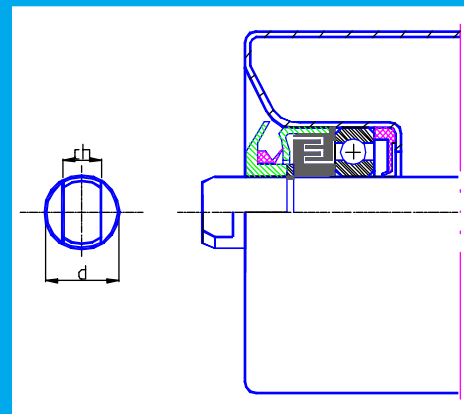
Guide rod assembly is both the guide of spring movement, and the rod to limit the lower stop point of the center roller. Both the idler's troughing angle, and impact force can be changed by adjusting the nut on the spring guide rod, which makes the belt even loaded crosswise. This successfully provided good protection to the belt.

Rollers

The technically advanced BHR roller is selected to make the spring idler kit more fitful world wide, features of which is shown on the specific brochure.

Specification

B	M	N	d	H		Spring force KGF/MM		
				Up	Lower	L	M	HL
500	720	130	M12	240	150	8	10	12
650	870	130		255	150	8	10	12
800	1070	130		275	150	10	12	15
1000	1300	170	M16	340	160	12	15	20
1200	1550	200		390	160	15	20	30
1400	1750	200		410	160	15	20	30
1600	1990	240		490	190	20	30	40
1800	2210	240		515	210	20	30	40
2000	2400	240		540	210	30	40	50



BHR Roller

Ordering Code

SHT500-L (M,HL)

L=light load , M=medium load ,
HL=heavy load

Belt width ϵ "B=500~2000mm)

Model SHT adjustable spring
idler

No.39,Jianshebei Road,
Tangshan 063000
Hebei, P. R. China
Tel:0315 2095835, 2039807
Fax:0315 2039807
Email: info@beihua.com.cn
Web site:http://www.beihua.com.cn

Tangshn BeiHua Electromechanical Engineering Co. Ltd