



## Model BHR Rollers

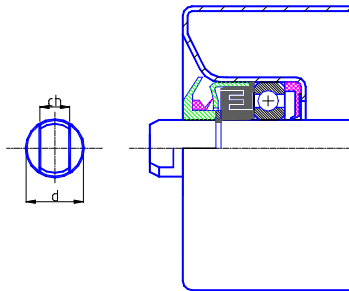
### General Description

Belt conveyor system is the most economical way of bulk material handling. It is its mechanical parts and assemblies that gives the system essential influence to functionality, efficiency and life.

Conforming to both **ISO & Chinese** codes and standards for conveyors with reference to the world's advanced technology, Model BHR roller is designed and manufactured for both domestic and international clients.

### Structure of the roller

We have considered every possible factor that may affect the performance of the roller in a way that can result smaller



starting resistance, high efficiency, longer life with minimum maintenance and maximum loading capacity.

### Steel tube

The steel tube is selected as per the **GB standard** (or **ISO as requested**) with the two ends processed to required dimension.

### Roller end cap

The end cap, which is made of steel sheet and calibrated to ISO M7, houses bearing and seal elements. This could ensure low starting torque.

### Shaft

Shaft is cold rolled and calibrated to ISO h6 to ensure

precise assembling of bearing.

### Bearing

Single radial ball bearing of China's famous brand is selected for BHR with codes shown as follow,

4G204	4G205	4G206	4G305	4G306	4G308
-------	-------	-------	-------	-------	-------

### Sealing

Both sides of the bearings have to be sealed to prevent grease from leaking and to protect against rain, moisture and dust.

### Lubrication

The bearings are lubricated with Lithium based grease which has good stability in different weather conditions. The bearing chamber house lubricant enough for the whole life circle of the roller.

### Balance

The BHR roller is tested for static and dynamic balance, which encourages roller to run fast and stable.

### Final inspection

Put a randomly picked roller into test machine, run for sometime so that grease may flow into the bearing chamber, Check resistance torque to ensure it not exceed recommended value.

### Main features:

- Large scope of loading capacity;
- Excellent compatibility of working conditions;
- One time lubrication on installation;
- Extra length labyrinth seal;
- Rated life 30,000 hours;
- Maintenance free.



# BeiHua Roller series

Tangshan BeiHua Electro-mechanical Engineering Co., Ltd



## Specifications

### ● BHR Roller

Roller type	Belt width (mm)	Diameter (mm)	Shaft Dia.	Length (mm)			Bearing
				Flat	V-shape	Trough	
BHR/1	500, 650, 800, 100, 1200, 1400	89	20	600, 750, 950, 1150, 1400, 1600	315, 380, 465, 600, 700, 800	200, 250, 315, 380, 465, 530	4G204
	500, 650, 800, 1000, 1200	108		600, 750, 950, 1150, 1400	315, 380, 465, 600, 700	200, 250, 315, 380, 465	
	500, 650, 800, 1000, 1200, 1400	133		600, 750, 950	315, 380, 465, 600, 700, 800	200, 250, 315, 380, 465, 530	
BHR/2	500, 650, 800, 1000, 1200, 1400, 1600	89	25	600, 750, 950, 1150, 1400, 1600, 1800	600, 700, 800, 900	380, 465, 530, 600	4G205
	500, 650, 800, 1000, 1200, 1400, 1600	108		600, 750, 950, 1150, 1400, 1600, 1800	465, 600, 700, 800, 900	380, 465, 530, 600	
	650, 800, 1000, 1200, 1400, 1600, 1800, 2000	133		750, 950, 1150, 1400, 1600, 1800, 2000, 2200	465, 600, 700, 800, 900, 1000, 1100	380, 465, 530, 600, 750	
	1000, 1200, 1400, 1600, 1800	159		1150, 1400, 1600, 1800, 2000	600, 700, 800, 900, 1000	380, 465, 530, 600, 670	
BHR/3	500, 650, 800, 1000, 1200, 1400, 1600	89	25	1150, 1400, 1600, 1800	600, 700, 800, 900	380, 465, 530, 600	4G305
	500, 650, 800, 1000, 1200, 1400, 1600	108		1150, 1400, 1600, 1800	600, 700, 800, 900	380, 465, 530, 600	
	650, 800, 1000, 1200, 1400, 1600, 1800, 2000	133		1150, 1400, 1600, 1800, 2000, 2200	600, 700, 800, 900, 1000, 1100	380, 465, 530, 600, 670, 750	
	1000, 1200, 1400, 1600, 1800	159		1150, 1400, 1600, 1800, 2000	600, 700, 800, 900, 1000	380, 465, 530, 600, 670	
BHR/4	1000, 1200, 1400, 1600	89	30	1150, 1400, 1600, 1800	600, 700, 800, 900	380, 465, 530, 600	4G206
	1000, 1200, 1400, 1600	108		1150, 1400, 1600, 1800	600, 700, 800, 900	380, 465, 530, 600	
	1000, 1200, 1400, 1600, 1800, 2000	133		1150, 1400, 1600, 1800, 2000, 2200	600, 700, 800, 900, 1000, 1100	380, 465, 530, 600, 670, 750	
	1000, 1200, 1400, 1600, 1800	159		1150, 1400, 1600, 1800, 2000	600, 700, 800, 900, 1000	380, 465, 530, 600, 670	
BHR/5	1000, 1200, 1400, 1600, 1800, 2000	133	30	1150, 1400, 1600, 1800, 2000, 2200	600, 700, 800, 900, 1000, 1100	380, 465, 530, 600, 670, 750	4G306
	1000, 1200, 1400, 1600, 1800	159		1150, 1400, 1600, 1800, 2000	600, 700, 800, 900, 1000	380, 465, 530, 600, 670	
BHR/6	1600, 1800	159	40	1800, 2000	900, 1000	600, 670	4G308

\* Specifications are subject to change without notice.

\*\* Order for customized dimensions of rollers is welcomed.

# BeiHua Roller series

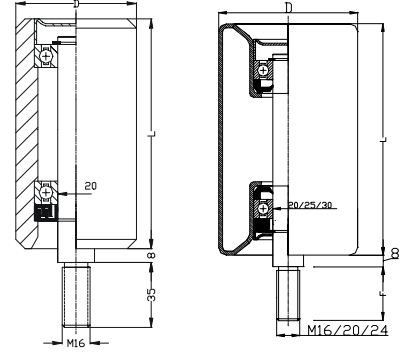
Tangshan BeiHua Electro-mechanical Engineering Co., Ltd



## ● Guide roller

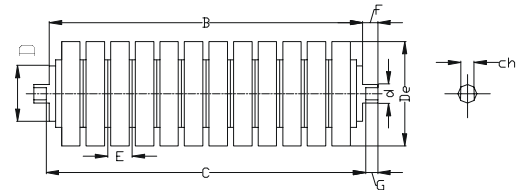
Roller type	Shaft $\phi$	Dia. Steel roll	Length	Bearing
BHR/G1	20M16	63, 89, 108, 133	130, 150	4G204
BHR/G2	25M20	89, 108, 133	130, 150	4G205
BHR/G3	30M24	89, 108, 133	130, 150	4G206

Guided roller is used to make the belt slide on it. Like the carrying roller, it is made of quality bearings and steel tubes based on ISO codes & standards.



## ● Impact roller

Impact roller is used for absorbing the impact force at material take up point at the rear pulley assembly area of belt conveyor. It is made of quality bearings, steel tubes and rubber rings as per ISO code and standard.



Roller type	Shaft	Dia. Steel roll	Shaft length	Bearing	Belt width
BHR/1	20	63	200, 250, 315	4G204	500, 650, 800
BHR/2	25	60, 89	380, 465, 530, 600	4G205	1000, 1200, 1400, 1600
BHR/4	30	89	530, 600	4G206	1400, 1600
BHR/5		89	670	4G306	1800

## Applications

- Suitable for conveyors of belt width 500-2000mm;
- Large variety of materials to be handled, ranging from uniform size, very small rounded particle, to irregular, stringy, fibrous, interlocking material such as sand, cement, soil, wood chips, aggregates, wet concrete, etc., from very wet to very dry;
- Widely used at metallurgy, mining, coal, port, construction site, power plant, etc.;



### Contact information

**Tangshan BeiHua Electro-mechanical Engineering Co., Ltd**

No. 39, Jianshebei Road, Tangshan - 063000

Hebei, P. R. China

<http://www.beihua.com.cn>

[info@beihua.com.cn](mailto:info@beihua.com.cn)

Tel: +86 315 2095835

Fax: +86 315 2039807

BeiHua