

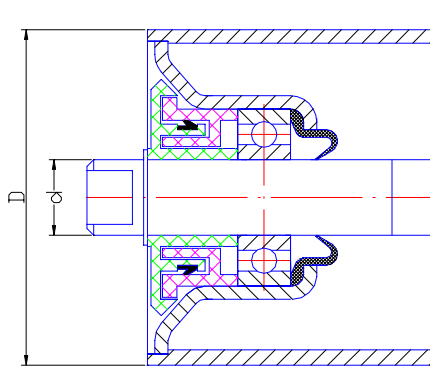


## Model BJR Roller

### General description

Model BJR roller is excellent in both functionality and economy. Through 5 years research and experiment, with reference to the world's advanced technology and the actual application in different places, the roller features simple structure, wide application scope, long operation life which lasts 40000 hours even under harsh weather conditions ranging from  $-40^{\circ}\text{C} \sim 70^{\circ}\text{C}$ , dusts and rushes of water.

### Structure



### Shell and shaft

The shell is made of high frequency tube of China's famous brand, processed with specialized machine tools. Bearing chamber is cold rolled steel sheet, calibrated to ISO M7, which realizes smaller starting torque. The shell is welded with the bearing support to increase strength of the whole roller body, enable good precision and minimizes radial unbalance factor. The shaft is cold rolled and calibrated to ISO h6 to ensure correct installation of the bearing.

### Bearing and seal

Single row ball bearing of China's famous brand is used and listed as follows,

4G204	4G205	4G206	4G305	4G306	4G308
-------	-------	-------	-------	-------	-------

There are lub chambers at both side of the bearing which is sealed with inner and outer seals to prevent lubricant from oxydization and loss. There are labyrinths outside of the bearing. Its unique design is that the labyrinth has deep inner lips which centrifugally keep the very few dusts already entered into the labyrinth away from bearing when the roller runs. Experiments show that roller weight does not gain when it runs under water though it is not designed for use under water.

### Lubrication

With BeiHua's designated special lubricant, which is good for different climatic conditions, lub storage in the chamber provide life time service to the roller bearings.

### Final test

Put the assembled roller on the test platform, turn it for certain time period, stir lubricant into the bearing. Check if the resistance torque is under the rated value under certain RPM.

### Main features:

- Large scope of applications;
- Excellent suitability of working conditions such as temperature ranging from  $-40^{\circ}\text{C} \sim 70^{\circ}\text{C}$ ;
- Lubrication on installation, lasts for life;
- Deep lip length labyrinth seal;
- Long life of 40,000 hours;
- Maintenance free.



# BeiHua Roller series

Tangshan BeiHua Electro-mechanical Engineering Co., Ltd



## Specifications

### ● BJR Roller

Roller type	Belt width (mm)	Diameter (mm)	Shaft Dia.	Length (mm)			Bearing
				Flat	V-shape	Trough	
BJR/1	500, 650, 800, 1000, 1200, 1400	89	20	600, 750, 950, 1150, 1400, 1600	315, 380, 465, 600, 700, 800	200, 250, 315, 380, 465, 530	4G204
	500, 650, 800, 1000, 1200	108		600, 750, 950, 1150, 1400	315, 380, 465, 600, 700	200, 250, 315, 380, 465	
	500, 650, 800, 1000, 1200, 1400	133		600, 750, 950	315, 380, 465, 600, 700, 800	200, 250, 315, 380, 465, 530	
BJR/2	500, 650, 800, 1000, 1200, 1400, 1600	89	25	600, 750, 950, 1150, 1400, 1600, 1800	600, 700, 800, 900	380, 465, 530, 600	4G205
	500, 650, 800, 1000, 1200, 1400, 1600	108		600, 750, 950, 1150, 1400, 1600, 1800	465, 600, 700, 800, 900	380, 465, 530, 600	
	650, 800, 1000, 1200, 1400, 1600, 1800, 2000	133		750, 950, 1150, 1400, 1600, 1800, 2000, 2200	465, 600, 700, 800, 900, 1000, 1100	380, 465, 530, 600, 750	
	1000, 1200, 1400, 1600, 1800	159		1150, 1400, 1600, 1800, 2000	600, 700, 800, 900, 1000	380, 465, 530, 600, 670	
BJR/3	500, 650, 800, 1000, 1200, 1400, 1600	89	25	1150, 1400, 1600, 1800	600, 700, 800, 900	380, 465, 530, 600	4G305
	500, 650, 800, 1000, 1200, 1400, 1600	108		1150, 1400, 1600, 1800	600, 700, 800, 900	380, 465, 530, 600	
	650, 800, 1000, 1200, 1400, 1600, 1800, 2000	133		1150, 1400, 1600, 1800, 2000, 2200	600, 700, 800, 900, 1000, 1100	380, 465, 530, 600, 670, 750	
	1000, 1200, 1400, 1600, 1800	159		1150, 1400, 1600, 1800, 2000	600, 700, 800, 900, 1000	380, 465, 530, 600, 670	
BJR/4	1000, 1200, 1400, 1600	89	30	1150, 1400, 1600, 1800	600, 700, 800, 900	380, 465, 530, 600	4G206
	1000, 1200, 1400, 1600	108		1150, 1400, 1600, 1800	600, 700, 800, 900	380, 465, 530, 600	
	1000, 1200, 1400, 1600, 1800, 2000	133		1150, 1400, 1600, 1800, 2000, 2200	600, 700, 800, 900, 1000, 1100	380, 465, 530, 600, 670, 750	
	1000, 1200, 1400, 1600, 1800	159		1150, 1400, 1600, 1800, 2000	600, 700, 800, 900, 1000	380, 465, 530, 600, 670	
BJR/5	1000, 1200, 1400, 1600, 1800, 2000	133	30	1150, 1400, 1600, 1800, 2000, 2200	600, 700, 800, 900, 1000, 1100	380, 465, 530, 600, 670, 750	4G306
	1000, 1200, 1400, 1600, 1800	159		1150, 1400, 1600, 1800, 2000	600, 700, 800, 900, 1000	380, 465, 530, 600, 670	
BJR/6	1600, 1800	159	40	1800, 2000	900, 1000	600, 670	4G308

\* Specifications are subject to change without notice.

\*\* Order for customized dimensions of rollers is welcomed.

# BeiHua Roller series

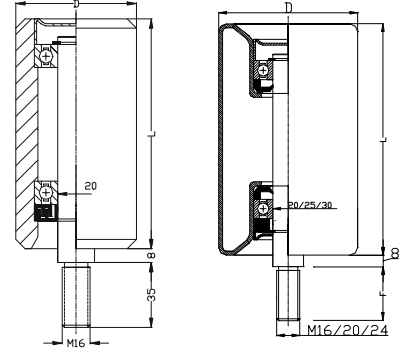
Tangshan BeiHua Electro-mechanical Engineering Co., Ltd



## ● Guide roller

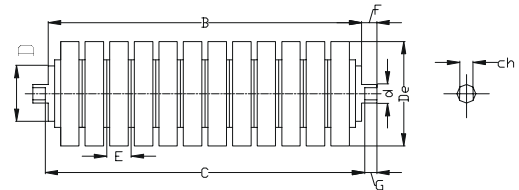
Roller type	Shaft $\phi$	Dia. Steel roll	Length	Bearing
BJR/G1	20M16	63, 89, 108, 133	130, 150	4G204
BJR/G2	25M20	89, 108, 133	130, 150	4G205
BJR/G3	30M24	89, 108, 133	130, 150	4G206

Guided roller is used to make the belt slide on it. Like the carrying roller, it is made of quality bearings and steel tubes based on ISO codes & standards.



## ● Impact roller

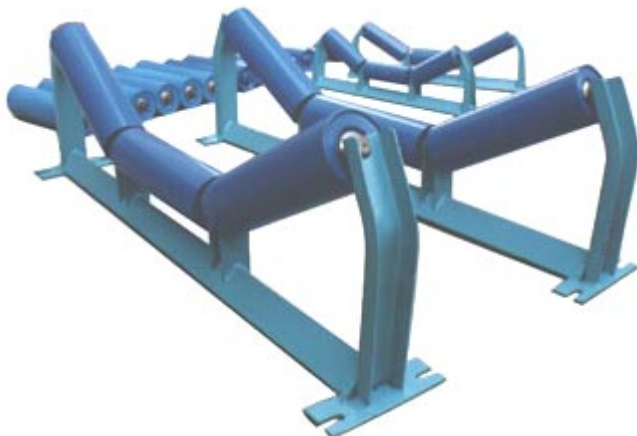
Impact roller is used for absorbing the impact force at material take up point at the rear pulley assembly area of belt conveyor. It is made of quality bearings, steel tubes and rubber rings as per ISO code and standard.



Roller type	Shaft	Dia. Steel roll	Shaft length	Bearing	Belt width
BJR/1	20	63	200, 250, 315	4G204	500, 650, 800
BJR/2	25	60, 89	380, 465, 530, 600	4G205	1000, 1200, 1400, 1600
BJR/4	30	89	530, 600	4G206	1400, 1600
BJR/5		89	670	4G306	1800

## Applications

- Suitable for conveyors of belt width 500-2000mm;
- Large variety of materials to be handled, ranging from uniform size, very small rounded particle, to irregular, stringy, fibrous, interlocking material such as sand, cement, soil, wood chips, aggregates, wet concrete, etc., from very wet to very dry;
- Widely used at metallurgy, mining, coal, port, construction site, power plant, etc.;



### Contact information

**Tangshan BeiHua Electro-mechanical Engineering Co., Ltd**

No. 39, Jianshebei Road, Tangshan - 063000

Hebei, P. R. China

<http://www.beihua.com.cn>

[info@beihua.com.cn](mailto:info@beihua.com.cn)

Tel: +86 315 2095835

Fax: +86 315 2039807

**BeiHua**