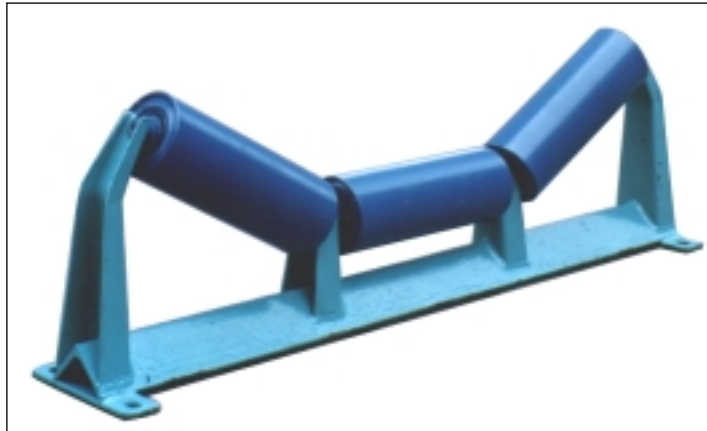


# Model BMR Roller Series



Conforming to both ISO & Chinese GB codes and standards for conveyors with reference to the world's advanced technology, Model BMR roller is designed and manufactured for both domestic and international clients.

## Structure

The newly designed BMR roller series is a deluxe product with the advanced basic components, high precision process, strict standard of characteristics such as radial tolerance  $\leq 0.4\text{mm}$  (at roller length  $< 550$ ), axial tolerance  $< 0.4\text{ mm}$ , the data of which exceeds China's Excellent products standard. The rated operation life is 60000 hrs, which makes it the best in China.

## Steel tube

The steel tube is selected as per the GB standard (or ISO as requested) with the two ends processed to required dimension.

## Roller end cap

The end cap, which is made of steel sheet and calibrated to ISO M7, houses bearing and seal elements.

## Shaft

Shaft is cold rolled and calibrated to ISO h6 to ensure precise assembling of bearing.

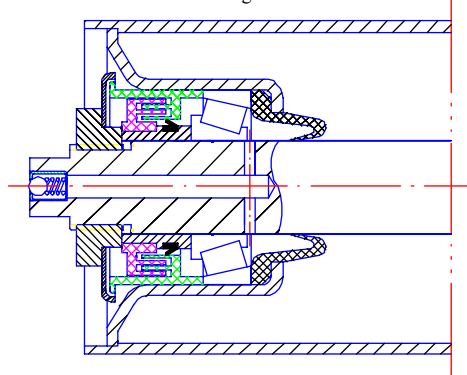
## Bearing

Tapered roller bearing of China's famous brand is selected for BMR with codes shown below,

7205	7305	7206	7306	7307	7308
------	------	------	------	------	------

Which provide more bearing contact area than ball bearings, spreading the load over a larger area. Its static and dynamic load capacity is 35% ~ 60% more than

that of similar ball bearing.



## Sealing

Excellent sealing result is enabled by the following structure, A separate large lub chamber ( $>8\text{ml}$ ) is designed at each end of the roller to ensure adequate lub storage. The chamber is isolated from air by inner & outer seals to keep lub wet so as to keep the bearing well lubricated. The outer of bearing is sealed with polycarbonate labyrinth lips of which is filled with lub to keep against dust. Far out is metal adjustable cap which can bear light impact during transportation. The unique combination with labyrinth keeps side rush of water out of it.

## Lubrication

Refill is required at both ends of the roller respectively with an interval of 20000 hrs, refills for each roller each time weighs about 32 grams.

## Balance

The BMR roller is tested for static and dynamic balance, which encourages roller to run fast and stable.

## Final inspection

Put a roller into test machine, run for sometime so that grease may flow into the bearing chamber, Check

resistance torque to ensure it not exceed recommended value.

## Main features:

- Bearing capacity 50% larger than normal roller;
- Excellent suitability of working conditions ranging between  $-40^{\circ}\text{C}$  ~  $70^{\circ}\text{C}$ ;
- Unique labyrinth seal for water proof, dust proof;
- Point to point refill in interval of 20000 hours with special lubricant;
- Service life 60,000 hours.

## Applications

- Suitable for conveyors of belt width 500-2000mm;
  - Large variety of materials to be handled, ranging from uniform size, very small rounded particle, to irregular, stringy, fibrous, interlocking material such as sand, cement, soil, wood chips, aggregates, wet concrete, etc., from very wet to very dry;
- Widely used at metallurgy, mining, coal, port, construction site, power plant, etc.

# 北华托辊系列

唐山市北华机电工程有限公司



## Roller Specification

- Carrying and return

Type	Belt Width (mm)	Roll Dia	Shaft Dia	Length (mm)			Bearing	Ch
				Flat	V-shape	Trough		
BMR/1	500, 650, 800, 1000, 1200, 1400	89	25	600, 750, 950, 1150, 1400, 1600	315, 380, 465, 600, 700, 800	200, 250, 315, 380, 465, 530	7205	14
	500, 650, 800, 1000, 1200	108		600, 750, 950, 1150, 1400	315, 380, 465, 600, 700	200, 250, 315, 380, 465		
	500, 650, 800, 1000, 1200, 1400	133		600, 750, 950, 1150, 1400, 1600	315, 380, 465, 600, 700, 800	200, 250, 315, 380, 465, 530		
BMR/2	500, 650, 800, 1000, 1200, 1400, 1600	89	30	600, 750, 950, 1150, 1400, 1600, 1800	600, 700, 800, 900	380, 465, 530, 600	7206	18
	500, 650, 800, 1000, 1200, 1400, 1600	108		600, 750, 950, 1150, 1400, 1600, 1800	465, 600, 700, 800, 900	380, 465, 530, 600		
	650, 800, 1000, 1200, 1400, 1600, 1800, 2000	133		750, 950, 1150, 1400, 1600, 1800, 2000, 2200	465, 600, 700, 800, 900, 1000, 1100	380, 465, 530, 600, 750		
	1000, 1200, 1400, 1600, 1800	159		1150, 1400, 1600, 1800, 2000	600, 700, 800, 900, 1000	380, 465, 530, 600, 670		
BMR/3	500, 650, 800, 1000, 1200, 1400, 1600	108	30	1150, 1400, 1600, 1800	600, 700, 800, 900	380, 465, 530, 600	7306	18
	650, 800, 1000, 1200, 1400, 1600, 1800, 2000	133		1150, 1400, 1600, 1800, 2000, 2200	600, 700, 800, 900, 1000, 1100	380, 465, 530, 600, 670, 750		
	1000, 1200, 1400, 1600, 1800	159		1150, 1400, 1600, 1800, 2000	600, 700, 800, 900, 1000	380, 465, 530, 600, 670		
BMR/4	1000, 1200, 1400, 1600	108	35	1150, 1400, 1600, 1800	600, 700, 800, 900	380, 465, 530, 600	7307	22
	1000, 1200, 1400, 1600, 1800, 2000	133		1150, 1400, 1600, 1800, 2000, 2200	600, 700, 800, 900, 1000, 1100	380, 465, 530, 600, 670, 750		
	1000, 1200, 1400, 1600, 1800	159		1150, 1400, 1600, 1800, 2000	600, 700, 800, 900, 1000	380, 465, 530, 600, 670		
BMR/5	1000, 1200, 1400, 1600, 1800, 2000	133	40	1150, 1400, 1600, 1800, 2000, 2200	600, 700, 800, 900, 1000, 1100	380, 465, 530, 600, 670, 750	7308	22
	1000, 1200, 1400, 1600, 1800, 2000	159		1150, 1400, 1600, 1800, 2000, 2200	600, 700, 800, 900, 1000, 1100	380, 465, 530, 600, 670, 750		

\*Specifications are subject to change without notice.

\*\*Besides the above standard types and sizes, we also accept user customized types.



# BeiHua Roller series

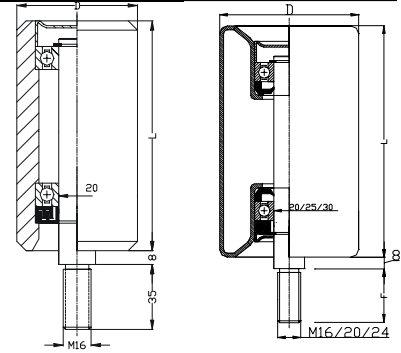
Tangshan BeiHua Electro-mechanical Engineering Co., Ltd



## ● Guide roller

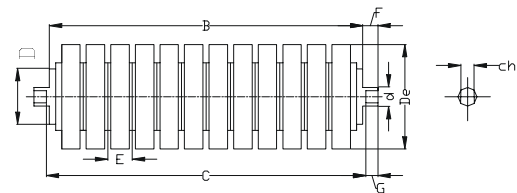
Roller type	Shaft $\phi$	Dia. Steel roll	Length	Bearing
BMR/G1	20M16	63, 89, 108, 133	130, 150	4G204
BMR/G2	25M20	89, 108, 133	130, 150	4G205
BMR/G3	30M24	89, 108, 133	130, 150	4G206

Guided roller is used to make the belt slide on it. Like the carrying roller, it is made of quality bearings and steel tubes based on ISO codes & standards.



## ● Impact roller

Impact roller is used for absorbing the impact force at material take up point at the rear pulley assembly area of belt conveyor. It is made of quality bearings, steel tubes and rubber rings as per ISO code and standard.



Roller type	Shaft	Dia. Steel roll	Shaft length	Bearing	Belt width
BMR/1	25	63	200, 250, 315	7205	500, 650, 800
BMR/2	30	60, 89	380, 465, 530, 600	7206	1000, 1200, 1400, 1600
BMR/4	35	89	530, 600	7307	1400, 1600
BMR/5	40	89	670	7308	1800

## Applications

- Suitable for conveyors of belt width 500-2000mm;
- Large variety of materials to be handled, ranging from uniform size, very small rounded particle, to irregular, stringy, fibrous, interlocking material such as sand, cement, soil, wood chips, aggregates, wet concrete, etc., from very wet to very dry;
- Widely used at metallurgy, mining, coal, port, construction site, power plant, etc.;

## Contact information

### Tangshan BeiHua Electro-mechanical Engineering Co., Ltd

No. 39, Jianshebei Road, Tangshan - 063000

Hebei, P. R. China

<http://www.beihua.com.cn>

[info@beihua.com.cn](mailto:info@beihua.com.cn)

Tel: +86 315 2095835

Fax: +86 315 2039807



BeiHua